

MARINE & RV EQUIPMENT

2018 Product Catalog



SEAFLO MARINE & RV NORTH AMERICA, LLC
808 North Central Ave, Wood Dale, Illinois, 60191

Phone: (844)-473-2356
Email: sales@seaflousa.com
www.SeafloUSA.com




ACCURACY AND COMPLETENESS OF INFORMATION


All information in this literature regarding products and services provided by SEAFLO is subject to change without prior notice. Reasonable efforts are taken to ensure the accuracy and integrity of all information provided here, but SEAFLO is not responsible for misprints, out-of-date information, or errors. SEAFLO makes no warranty, express or implied, or assumes any legal liability or responsibility for the accuracy or completeness of any information contained in this literature.





www.SeafloUSA.com


INDEX


-  **Auto Bilge Pumps**
03-04


-  **Water Systems**
05


-  **Bilge Pumps**
06-11


-  **Low Voltage Submersible Pumps**
12


-  **Float Switches**
13


-  **Diaphragm Pumps**
14-27


-  **Macerator Pumps**
28-29


-  **Gear Pumps**
30-31


-  **Blowers**
32-34


-  **Fuel Cans**
35

-  **Switches**
36-37

-  **Hand Pumps**
38-39

-  **Hatches**
40

-  **Portholes**
41

-  **Accessories**
42-43



SEAFLO 4-Year Limited Warranty:

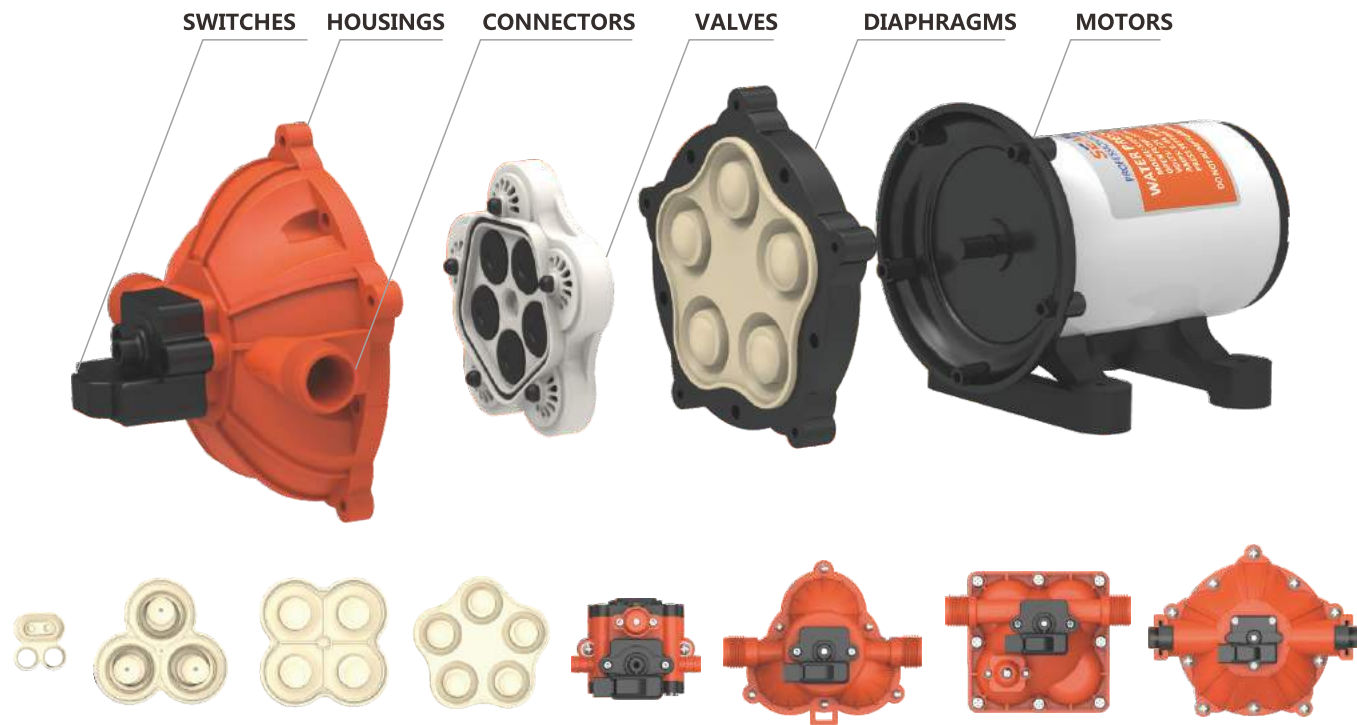
SEAFLO Marine & RV North America, LLC Product Warranty warrants its products to be free from material and workmanship defects under normal use and service for a period of four (4) years from the date of purchase. Not to exceed (4) four years in any event. The limited warranty will not apply to products that were improperly installed, misapplied, or are incompatible with components not manufactured by SEAFLO. An original receipt of purchase must be presented. In the absence of proof of purchase the warranty is (4) four years from the date of manufacture indicated on the motor, or on the products indicated, not to exceed (4) four years in any event.

Product failure due to foreign debris is not covered under the terms of this limited warranty. SEAFLO Marine & RV North America, LLC will not warrant any product that is physically damaged, or altered outside of the SEAFLO factory. SEAFLO Marine & RV North America LLC only warrants products purchased from SEAFLO Marine & RV North America LLC, or one of SEAFLO Marine & RV North America's Authorized Dealers. Warranty claims may be resolved by an authorized dealer service center, or by a SEAFLO service center. Returns are to be shipped with charges pre-paid. Package all returns carefully. SEAFLO Marine & RV North America LLC, will not be responsible for freight damage incurred during shipping to our service center. SEAFLO Marine & RV North America's obligation under this warranty policy is limited to the repair or replacement of the product. Products found not defective (under the terms of this limited warranty) are subject to charges to be paid by the returnee for the testing and packaging of units that are tested in good working order.

Warranty returns will be shipped on a freight allowed basis. SEAFLO Marine & RV North America, reserves the right to choose the method of transportation. SEAFLO Marine & RV North America, LLC is not responsible nor will it reimburse for labor necessary to remove and re-install a product, if found defective. This policy is effective for products purchased after January 1st, 2016.

SEAFLO Marine & RV North America LLC, reserves the right to update specifications, change prices, change return policy details or make substitutions without notice.

Custom SEAFLO Options



SWITCHES

- Bypass
- On-Demand
- Internal Bypass
- No Controls

HOUSINGS

- Nylon
- Polypro

VALVES

- Santoprene
- Viton
- Geolast
- Nylon
- Polypro
- BUNA
- EPDM

CONNECTORS

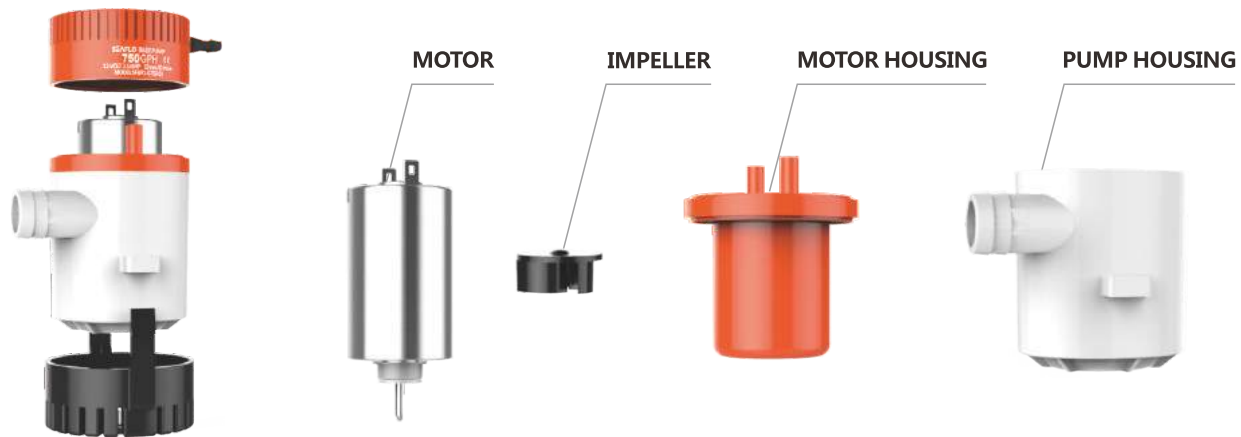
- Quick Attach
- FNPT
- MNPT

DIAPHRAGMS

- Santoprene
- Viton
- Geolast
- Various CAM Sizes
- BUNA

MOTORS

- Sealed
- 12,24 Volts
- 115,230 Volts
- Higher Output
- Heat Sinks
- Lead Sinks
- Lead Wires
- 2 Pin Connector
- On/Off Switch
- Special Electrical
- Connectors Available



Additional Options: Various packaging options, Custom label/logo, OEM, ODM

NEW FOR 2018



Marine Air Conditioning Pump
Available in 115/240 volt and 250/500 GPH



Accumulator tank
Available in .75L and 8L



115v/240v Water Supply Pump
FDA compliant for use in any drinking water applications!



Bilge Pump Switch Panel
Easily set your system to on, off, or automatic



Portable Aerator System
Turn any bucket or cooler into a baitwell!



4700 GPH Bilge Pump
Heaviest duty bilge pump on the market!



Inline Water/Diesel Pump
For inline boosting, drinking water, or diesel



Raw Water Strainer
Available in sizes from 0.5" to 1.5"

Please let me take this opportunity to introduce you to SEAFLO,

Since 2004, SEAFLO has specialized in the manufacture of high quality Marine, RV, Industrial and Agricultural components. Fresh Water Pumps, Bilge Pumps, Washdown Kits, General Purpose Pumps, Shower Sump Systems, Access Hatches, Marine Switches, Agricultural Sprayers and Blower Fans are our main focuses.

We entered an industry in which just a few large corporations had control of the entire market, and the status quo had become good enough.

SEAFLO's rapid growth and market penetration have been made easy by our simple business philosophy. We listen to our customers, provide them with the products they want, using the highest quality components, at an affordable price, with personalized customer service, and an industry-leading 4 year warranty to stand behind everything we make.

We have complete control in our product development process. From designing, mold making and raw material selection, to production, quality control testing, marketing, and distribution. We have the easy ability to continually innovate and produce the products our customers want.

In addition to our current product line, we also have the ability to develop new products to fill the needs of our customers. If there is a product we do not have that you may be interested in, our team of engineers can help make it a reality. These capabilities have also lead us to success with many major companies for OEM and ODM production.

Kind Regards,

John Z Kosowski

John Z. Kosowski
CEO
SEAFLO Marine & RV, North America LLC

www.seaflousa.com
sales@seaflousa.com
(844)-473-2356



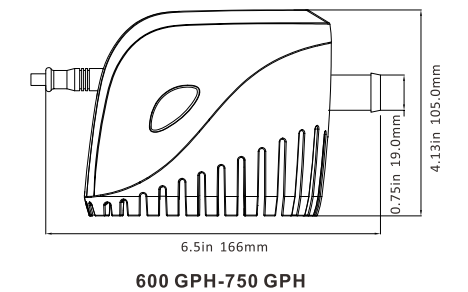
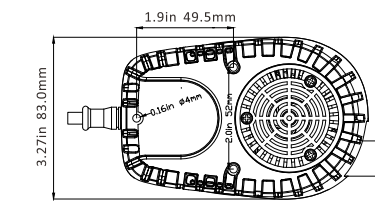
AUTO BILGE PUMPS 600/750/1100 GPH

FEATURES & BENEFITS

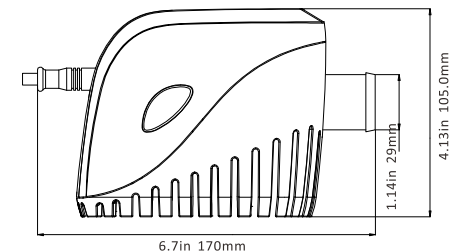
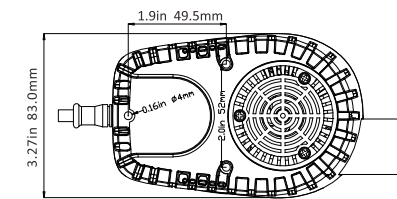
- Our revolutionary, patent-pending design allows for effortless installation and service. With the ability to quick disconnect the power line and the strainer base in seconds, proper pump care has never been easier.
- Available in 600, 750, and 1100 GPH
- 18 AWG, 1 m long leads

MOTOR

- Type**
Sealed, efficient, long life motor
- Temperature Limits**
110°F (43°C) Max.
- Duty Cycle**
Intermittent



600 GPH-750 GPH



1100 GPH

STANDARD PUMP CONFIGURATIONS

Model	Flow rate	Volts	Current	Head	Wire lead	Outlet Dia.	N.W./G.W.
SFBP1-G600-11	600 GPH	12V	2.5 A	2.5 m / 8.0'	1 m / 3.0'	19 mm/3/4"	0.55/0.6kg
SFBP2-G600-11	600 GPH	24V	1.5 A	2.5 m / 8.0'	1 m / 3.0'	19 mm/3/4"	0.55/0.6kg
SFBP1-G750-11	750 GPH	12V	3.0 A	3.0 m / 10.0'	1 m / 3.0'	19 mm/3/4"	0.55/0.6kg
SFBP2-G750-11	750 GPH	24V	1.6 A	3.0 m / 10.0'	1 m / 3.0'	19 mm/3/4"	0.55/0.6kg
SFBP1-G1100-11	1100 GPH	12V	3.0 A	4.0 m / 13.0'	1 m / 3.0'	29 mm/1-1/8"	0.55/0.6kg
SFBP2-G1100-11	1100 GPH	24V	1.8 A	4.0 m / 13.0'	1 m / 3.0'	29 mm/1-1/8"	0.55/0.6kg



Shower Sump Pump System

Our all-in-one shower sump box, pump & float switch is the perfect solution for your sump application. There are multiple inlets with a variety of diameters to meet your specifications. When water enters the box the internal float switch turns the pump on automatically & shuts off automatically when water is removed. There is also a third lead which can be connected to a manual switch, for traditional operation as well.

Features & Benefits

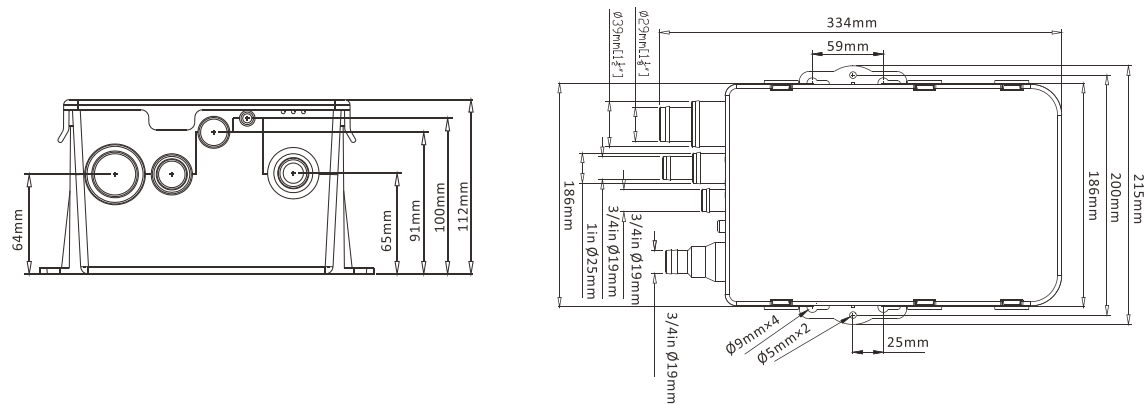
- Removable mesh filter allows easy cleaning
- Clear screw-down cover
- Check valve on outlet
- Ignition protected
- Handles waste water from more than one tapping point
- Easy installation
- Multiple inlet ports for versatile usage
- Available in 600 & 750 GPH (2271 & 2838 LPH) models in 12 and 24 volt versions

Pump

- Priming Capabilities**
Flooded suction
- Power**
3.0 amps max current draw
- Inlet/Outlet Ports**
Inlet: 3/4", 1", 1-1/8" and 1-1/2"
Outlet: 3/4"
- Weight**
2.57 lbs (1.17 kg)

Motor

- Type**
Sealed, efficient, long life motor
- Leads**
18 AWG, 1 m long Leads
- Duty Cycle**
Intermittent



STANDARD PUMP CONFIGURATIONS

Model	Flow rate	Volts	Current	Head (ft.)	Wire lead	Outlet Dia	N.W./G.W
SFBP1-G600-07	600 GPH	12V	2.5A	8.0'	3.0'	3/4" (19mm)	1.17/1.35 kg
SFBP2-G600-07	600 GPH	24V	1.5A	8.0'	3.0'	3/4" (19mm)	1.17/1.36 kg
SFBP1-G750-07	750 GPH	12V	3.0A	10.0'	3.0'	3/4" (19mm)	1.17/1.37 kg
SFBP2-G750-07	750 GPH	24V	1.6A	10.0'	3.0'	3/4" (19mm)	1.17/1.38 kg

Pump Accumulator Kit

Features & Benefits

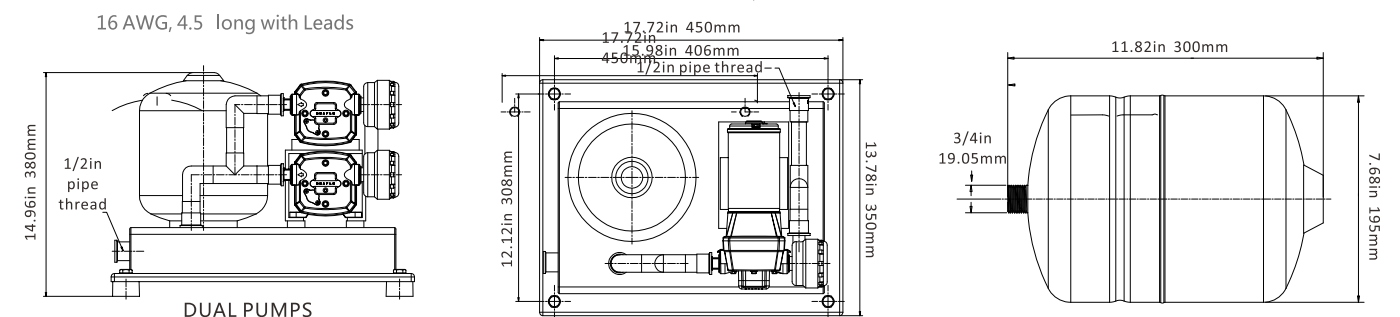
- All-in-one dual pump and accumulator tank kit
- 2.1 Gallon Accumulator Tank
- Unit contains a two 41-Series Seaflo Pumps.
- 2 Models available: 6.6 GPM & 9.0 GPM
- Accumulator tank combines high capacity and compact size
- Easy installation: Already assembled, just connect plumbing and screw down.
- Quick-connect plumbing fittings connect directly to 1/2" flexible hose
- Reduced noise and vibration by preventing pump cycling
- Dual Pumps ensures a smooth even flow of water to many outlets

Typical Applications

- Marine
- RV
- Remote Cabin

Motor

- Duty Cycle**
Intermittent
- Leads**
16 AWG, 4.5' long with Leads



STANDARD PUMP CONFIGURATIONS

Model	Voltage	Switch	GPM/LPM	PSI/BAR	Max Draw(A)	Valves	Diaphragm	Ports	Tank Volume GPM/LPM	Wire Connections
SFWSK1-066-035-021	12V	Demand	6.6/25.0	35/2.4	8.0	EPDM	Santoprene	Quick Attach	2.1/8.0	Leads
SFWSK1-090-040-021	12V	Demand	9.0/34.0	40/2.8	15.0	EPDM	Santoprene	Quick Attach	2.1/8.0	Leads

Consult factory for other available models

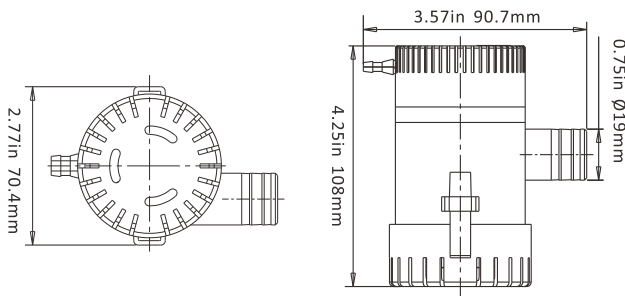
Non - Automatic Bilge Pumps 01 Series

SEAFLO non-automatic bilge pumps offer standard action activated by a panel or float switch. We offer a more robust motor, larger impeller, and greater inlet size over the competition. Our removable strainer allows for easy replacement or easy cleaning in the event that the pump becomes clogged with debris.

Features

- 4 Year Warranty
- Meets or exceeds ABYC, SAE and ISO standards
- NMMA Listed
- Traditional operation by switch or float switch
- Entirely Submersible
- Run dry capable for normal workloads
- Quiet operation
- Stainless steel shaft
- Snap-off strainer base for easy maintenance

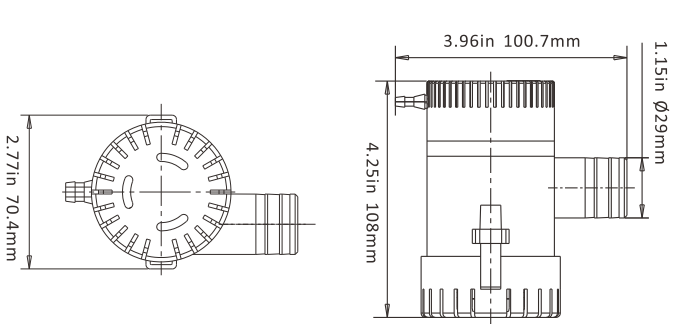
- Pump and switch are stand alone products
- Sealed efficient, long life motors
- Anti-Airlock protection
- Exclusive moisture tight seals
- Marine grade blocked wiring



350 GPH-500 GPH-750 GPH

STANDARD PUMP CONFIGURATIONS

Model	Flow rate	Volts	Current	Head	Wire lead	Outlet Dia	N.W/G.W
SFBP1-G350-01	350 GPH	12 V	1.0 A	10.0'	3.0'	3/4" (19mm)	0.33/0.40 kg
SFBP1-G500-01	500 GPH	12 V	1.6 A	10.0'	3.0'	3/4" (19mm)	0.33/0.40 kg
SFBP2-G500-01	500 GPH	24 V	1.2 A	10.0'	3.0'	3/4" (19mm)	0.33/0.40 kg
SFBP1-G750-01	750 GPH	12 V	2.5 A	10.0'	3.0'	3/4" (19mm)	0.33/0.40 kg
SFBP2-G750-01	750 GPH	24 V	1.2 A	10.0'	3.0'	3/4" (19mm)	0.33/0.40 kg



1100 GPH

STANDARD PUMP CONFIGURATIONS

Model	Flow rate	Volts	Current	Head	Wire lead	Outlet Dia	N.W/G.W
SFBP1-G1100-01	1100 GPH	12 V	3.0 A	13.0'	3.0'	1-1/8" (29mm)	0.38/0.44 kg
SFBP2-G1100-01	1100 GPH	24 V	1.8 A	13.0'	3.0'	1-1/8" (29mm)	0.38/0.44 kg

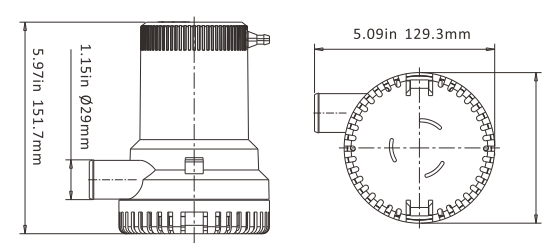
Non - Automatic Bilge Pumps 01 Series

SEAFLO non-automatic bilge pumps offer standard action activated by a panel or float switch. We offer a more robust motor, larger impeller, and greater inlet size over the competition. Our removable strainer allows for easy replacement or easy cleaning in the event that the pump becomes clogged with debris.

Features

- 4 Year Warranty
- Meets or exceeds ABYC, SAE and ISO standards
- NMMA Listed
- Traditional operation by switch or float switch
- Entirely Submersible
- Run dry capable for normal workloads
- Quiet operation
- Stainless steel shaft
- Snap-off strainer base for easy maintenance

- Pump and switch are stand alone products
- Sealed efficient, long life motors
- Anti-Airlock protection
- Exclusive moisture tight seals
- Marine grade blocked wiring



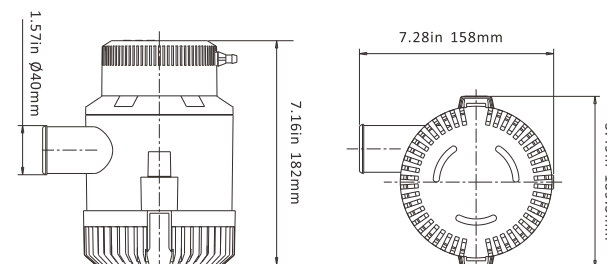
1500 GPH-2000 GPH

STANDARD PUMP CONFIGURATIONS

Model	Flow rate	Volts	Current	Head	Wire lead	Outlet Dia	N.W/G.W
SFBP1-G1500-01	1500 GPH	12V	8.0A	16.0'	3.0'	1-1/8" (29mm)	1.13/1.21 kg
SFBP2-G1500-01	1500 GPH	24V	4.0A	16.0'	3.0'	1-1/8" (29mm)	1.13/1.21 kg
SFBP1-G2000-01	2000 GPH	12V	8.5A	19.0'	3.0'	1-1/8" (29mm)	1.13/1.21 kg
SFBP2-G2000-01	2000 GPH	24V	5.0A	19.0'	3.0'	1-1/8" (29mm)	1.13/1.21 kg



1500 GPH-2000 GPH



STANDARD PUMP CONFIGURATIONS

Model	Flow rate	Volts	Current	Head	Wire lead	Outlet Dia	N.W/G.W
SFBP1-G3000-01	3000 GPH	12V	14.0A	26.0'	3.0'	1-1/2" (40mm)	2.10/2.37 kg
SFBP2-G3000-01	3000 GPH	24V	7.0A	26.0'	3.0'	1-1/2" (40mm)	2.10/2.37 kg
SFBP1-G3500-01	3500 GPH	12V	16.0A	26.0'	3.0'	1-1/2" (40mm)	2.10/2.37 kg
SFBP2-G3500-01	3500 GPH	24V	8.0A	26.0'	3.0'	1-1/2" (40mm)	2.10/2.37 kg
SFBP1-G3700-01	3700 GPH	12V	16.0A	26.0'	3.0'	1-1/2" (40mm)	2.10/2.37 kg
SFBP2-G3700-01	3700 GPH	24V	8.0A	26.0'	3.0'	1-1/2" (40mm)	2.10/2.37 kg



3000 GPH-3500 GPH



Non - Automatic Bilge Pumps 02 Series

SEAFLO non-automatic bilge pumps offer standard action activated by a panel or float switch. Strainer allows the pump to be mounted in 2 ways, either traditionally to the bottom, or mounted to the side vertically. Removable strainer for easy replacement or in the event that the pump becomes clogged with debris.

Features & Benefits

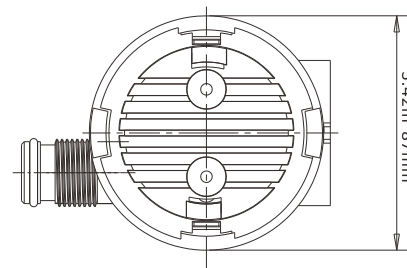
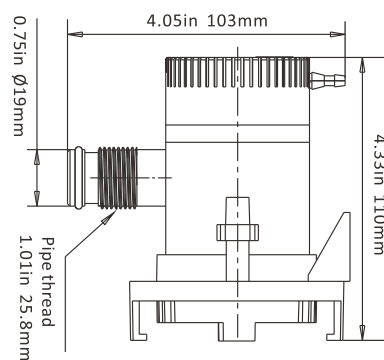
- 4 Year Warranty
- Pump and switch are stand alone products
- Compact, efficient, long life motors
- Size: 350, 600 gph in 12 volt version
- Easy clean snap-lock strainer bases
- Completely submersible
- Marine grade blocked wiring
- Quiet and vibrationless operation

Pump

- Priming Capabilities**
Flooded suction
- Power**
3.0 amps max current draw

Motor

- Type**
Compact, efficient, long life motor
- Leads**
18 AWG, 1 m long Leads
- Temperature Limits**
110°F (43°C) Max.
- Duty Cycle**
Intermittent
- Voltage**
12v



Standard Accessories



STANDARD PUMP CONFIGURATIONS

Model	Flow rate	Volts	Current	Head	Wire lead	Outlet Dia	N.W/G.W
SFBP1-G350-02	350 GPH	12V	1.0A	10.0'	3.0'	3/4" (19mm)	0.22/0.33 kg
SFBP1-G600-02	600 GPH	12V	3.0A	11.5'	3.0'	3/4" (19mm)	0.22/0.33 kg

Non - Automatic Bilge Pumps 03 Series

SEAFLO non-automatic bilge pumps offer standard action activated by a panel or float switch. Cartridge motor allows for easy cleaning and easy motor replacement. Strainer allows the pump to be mounted in 2 ways, either traditionally to the bottom, or mounted to the side vertically. Removable strainer for easy replacement or in the event that the pump becomes clogged with debris.

Features & Benefits

- 4 Year Warranty
- Pump and switch are stand alone products
- Compact, efficient, long life motors
- Size: 350, 600, 800 gph in 12 volt version
- Easy clean snap-lock strainer bases
- Completely submersible
- Marine grade blocked wiring
- Quiet and vibrationless operation

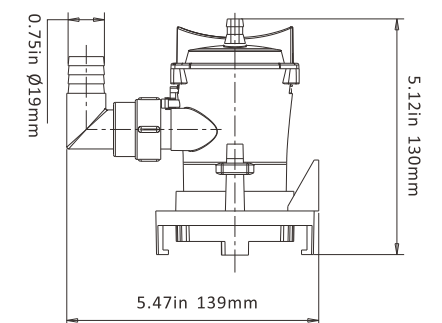
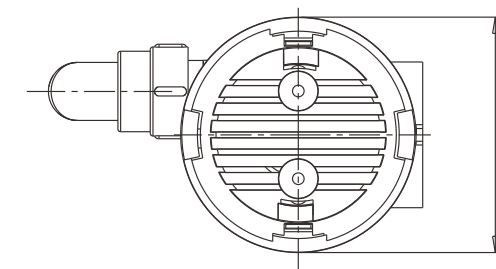
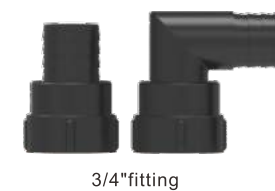
Pump

- Priming Capabilities**
Flooded suction
- Power**
4.0 amps max current draw

Motor

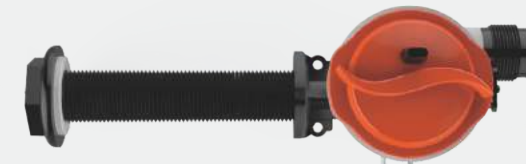
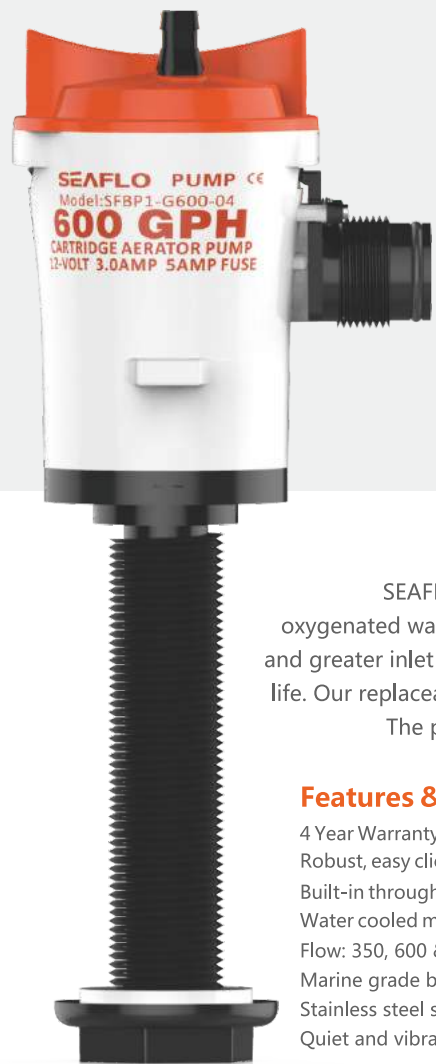
- Type**
Compact, efficient, long life motor
- Leads**
18 AWG, 1 m long Leads
- Temperature Limits**
110°F (43°C) Max.
- Duty Cycle**
Intermittent
- Voltage**
12v

Standard Accessories



STANDARD PUMP CONFIGURATIONS

Model	Flow rate	Volts	Current	Head	Wire lead	Outlet Dia	N.W/G.W
SFBP1-G350-03	350 GPH	12V	1.0A	10.0'	3.0'	3/4" (19mm)	0.37/0.46 kg
SFBP1-G600-03	600 GPH	12V	3.0A	11.5'	3.0'	3/4" (19mm)	0.37/0.46 kg
SFBP1-G800-03	800GPH	12V	4.0A	13.0'	3.0'	3/4" (19mm)	0.37/0.46 kg



Livewell/Baitwell Pumps 04-Series

SEAFLO livewell pumps are built for the serious angler. These pumps fill your livewell with clean, oxygenated water to keep your catch active. We offer more robust motors, larger high-strength impellers, and greater inlet size over the competition. The use of higher quality components allows for a longer pump life. Our replaceable and interchangeable motor cartridges allow for easy cleaning and motor replacement. The pump comes complete with a built-in through-hull with nut and washer for easy mounting.

Features & Benefits

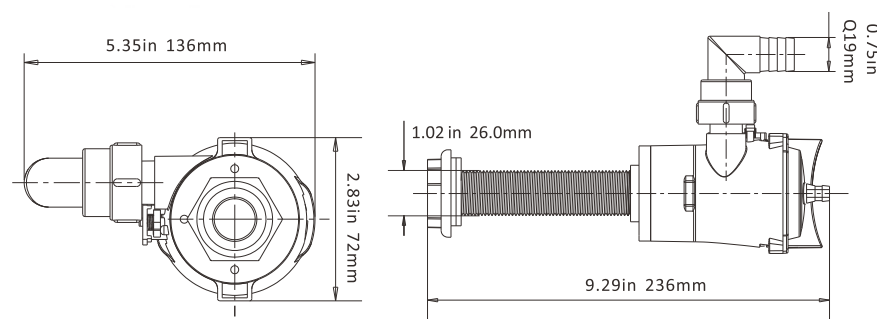
- 4 Year Warranty
- Robust, easy click-in, replaceable motor
- Built-in through-hull
- Water cooled motor housing
- Flow: 350, 600 & 800 gph in 12 volt version
- Marine grade blocked wiring
- Stainless steel shaft
- Quiet and vibrationless operation

Pump

- Priming Capabilities**
Flooded suction
- Flow**
350, 600 & 800 GPH Versions

Motor

- Type**
Cartridge-Style, easy replace, long life motor
- Leads**
18 AWG, 1 m long Leads
- Duty Cycle**
Intermittent
- Voltage**
12v



Standard Accessories



STANDARD PUMP CONFIGURATIONS

Model	Flow rate	Volts	Current	Head	Wire lead	Outlet Dia	N.W/G.W
SFBP1-G350-04	350 GPH	12V	1.0A	10.0'	3.0'	3/4" (19mm)	0.4/0.5 kg
SFBP1-G600-04	600 GPH	12V	3.0A	11.5'	3.0'	3/4" (19mm)	0.4/0.5 kg
SFBP1-G800-04	800 GPH	12V	4.0A	13.0'	3.0'	3/4" (19mm)	0.4/0.5 kg

Livewell/Baitwell Pumps 05-Series

SEAFLO livewell pumps are built for the serious angler. These pumps fill your livewell with clean, oxygenated water to keep your catch active. We offer more robust motors, larger high-strength impellers, and greater inlet size over the competition. The use of higher quality components allows for a longer pump life. Our replaceable and interchangeable motor cartridges allow for easy cleaning and motor replacement. The pump comes complete with a built-in through-hull with nut and washer for easy mounting.

Features & Benefits

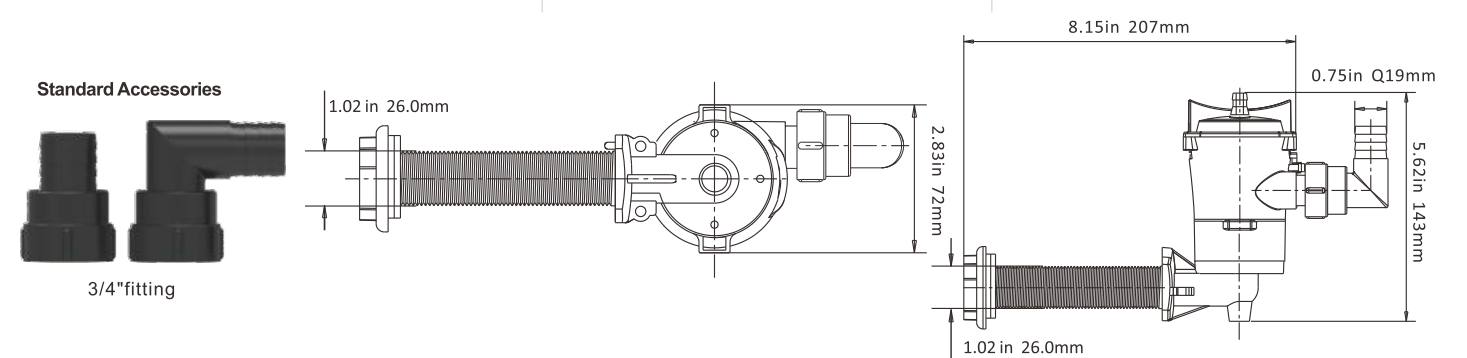
- 4 Year Warranty
- Robust, easy click-in, replaceable motor
- Built-in through-hull
- Water cooled motor housing
- Flow: 350, 600 & 800 gph in 12 volt version
- Marine grade blocked wiring
- Stainless steel shaft
- Quiet and vibrationless operation

Pump

- Priming Capabilities**
Flooded suction
- Flow**
350, 600 & 800 GPH Versions

Motor

- Type**
Cartridge-Style, easy replace, long life motor
- Leads**
18 AWG, 1 m long Leads
- Duty Cycle**
Intermittent
- Voltage**
12v



STANDARD PUMP CONFIGURATIONS

Model	Flow rate	Volts	Current	Head	Wire lead	Outlet Dia	N.W/G.W
SFBP1-G350-05	350 GPH	12V	1.0A	10.0'	3.0'	3/4" (19mm)	0.42/0.58 kg
SFBP1-G600-05	600 GPH	12V	3.0A	11.5'	3.0'	3/4" (19mm)	0.42/0.58 kg
SFBP1-G800-05	800 GPH	12V	4.0A	13.0'	3.0'	3/4" (19mm)	0.42/0.58 kg

Low Voltage Submersible Sump Pump

Description

These pumps offer a variety of uses. From liquid transfer, to a battery powered sump pump back-up. When you lose your main power, you can count on this pump to take over. They can offer up to 30 minutes of continuous operating time.

Features and Benefits

- 4 Year Warranty
- Pumps up to 18 vertical feet
- 1/2" Outlet
- Ideal for backup battery sump
- Quiet and vibrationless operation
- Completely submersible

Pump

- Priming Capabilities** Flooded suction
- Power** 2.8 amps max current draw
- Flow** 3.2 & 5.0 GPM Models Available

Motor

- Type** Compact, efficient, long life motor
- Leads** 18 AWG, 1 m long Leads
- Duty Cycle** Intermittent (30 minutes)
- Voltage** 12v

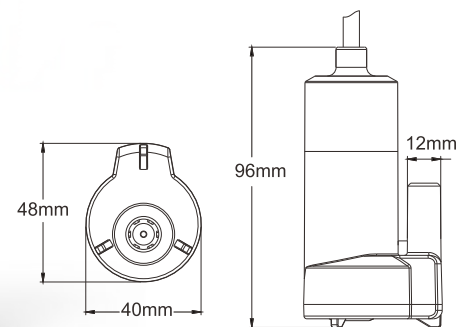


Model : SFSP1-L012-01

Model	SFSP1-L012-01
Voltage	12V DC
Max Amps	2.0A
Flow rate	3.2 GPM
Head	18 ft.
Outlet Dia	1/2" (12mm)
Wire Lead	3 ft.
N.W/G.W	0.16/0.18 kg

Flow Table

VOLTS(V)	AMPS(A)	FLOW	HEAD (Ft.)
12	2	3.2 GPM	3
12	1.9	2.7 GPM	6
12	1.7	2.4 GPM	9



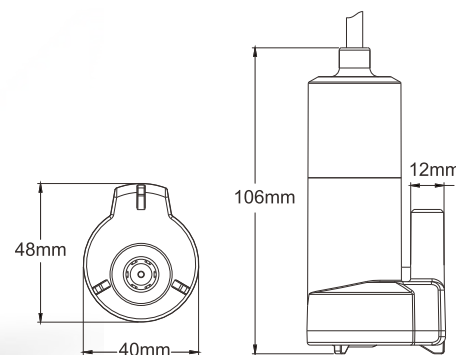
Model : SFSP1-L012-01

Model : SFSP1-L016-01

Model	SFSP1-L016-01
Voltage	12V DC
Max Amps	4.0A
Flow rate	16LPM
Bar	0.6bar
Head	6 m
Outlet Dia	12 mm/1/2"
Wire Lead	1 m
N.W/G.W	0.24/0.26 kg

Flow Table

VOLTS(V)	AMPS(A)	FLOW	HEAD(M)
12	4.0	16.3LPM	1
12	3.8	13.5LPM	2
12	3.8	12.0LPM	3

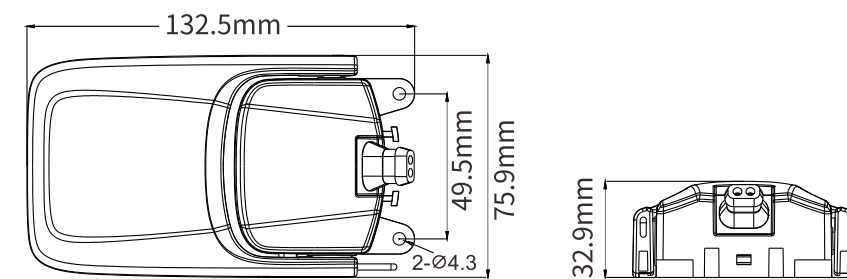
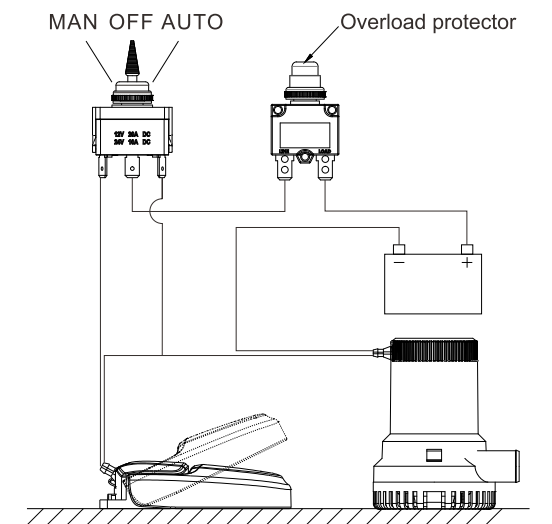


Model : SFSP1-L016-01

FLOAT SWITCH 03 SERIES

Features & Benefits

- Supports amp draws up to 25A
- Mercury free
- Compact design, easy installation
- Turns on when water level exceeds 1.77"-1.97"
- Turns off when water level drops below 0.79"-0.98"



SFBS-25-03A

STANDARD PUMP CONFIGURATIONS

Model	Max Amps	Wire Gauge Size	Wire Lead	N.W.
SFBS-25-03A	25 A	14 AWG	1 M	120 G

Consult factory for other available models



Diaphragm Pump 21 Series

The 21-Series Pumps are compact and designed for a wide range of applications including water supply, liquid transfer, spraying, circulation, filtration and dispensing. The 21-series of diaphragm pumps are self-priming and can be run dry without harm. It provides up to 1.2 gallons per minute. This compact automatic demand water system pump has a built-in pressure switch, which automatically starts and stops the pump when faucet is opened and closed.

Features & Benefits

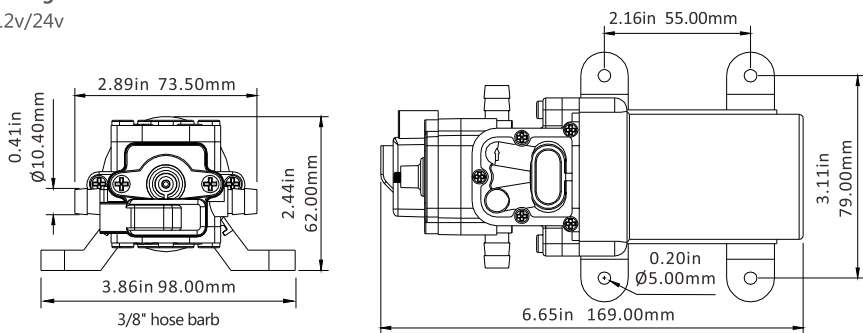
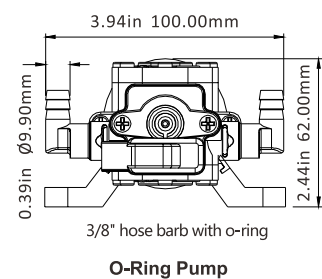
- 4 Year Warranty
- Capable of supplying 1-2 fixtures
- Compact design
- On-demand pressure switch
- Adjustable pressure setting
- Can run dry
- Quiet operation
- Industry standard mounting pattern

Pump

- Type**
2 Chamber positive displacement diaphragm pump, self priming, capable of being run dry
- Priming Capabilities**
4 feet (1.2 m) inlet suction lift
- Inlet/Outlet Ports**
3/8" hose barb
(Custom O-Ring Outlets available)
- Weight**
1.25 lbs (0.57 kg)

Typical Applications

- Marine & RV Water Supply
- Agricultural Spraying
- General Industrial
- OEM/ODM Applications



STANDARD PUMP CONFIGURATIONS (Inquire about other configurations, or valve and diaphragm materials)

Model	Voltage	GPM/LPM	Switch	Amps	PSI/BAR	Valves	Diaphragm	Ports
SFDP1-010-040-21	12V	1.0/3.8	Demand	4.0 MAX	40/2.8	EPDM	Santoprene	3/8" Barb (or Custom O-Ring)
SFDP2-010-040-21	24V	1.0/3.8	Demand	2.0 MAX	40/2.8	EPDM	Santoprene	3/8" Barb (or Custom O-Ring)
SFDP1-011-070-21	12V	1.1/4.0	Demand	4.0 MAX	70/4.8	EPDM	Santoprene	3/8" Barb (or Custom O-Ring)
SFDP1-012-035-21	12V	1.2/4.3	Demand	4.0 MAX	35/2.4	EPDM	Santoprene	3/8" Barb (or Custom O-Ring)
SFDP2-012-035-21	24V	1.2/4.3	Demand	2.0 MAX	35/2.4	EPDM	Santoprene	3/8" Barb (or Custom O-Ring)



Diaphragm Pump 22 Series

The 22-Series Pumps are compact and designed for a wide range of applications including liquid transfer, spraying, circulation, filtration and dispensing. The 22-series of diaphragm pumps are self-priming, can be run dry without harm and have an innovative internal bypass feature which reduces pump cycling. It provides up to 1.4 gallons per minute. This compact automatic demand water system pump has a built-in pressure switch, which automatically starts and stops the pump when faucet is opened and closed.

Features & Benefits

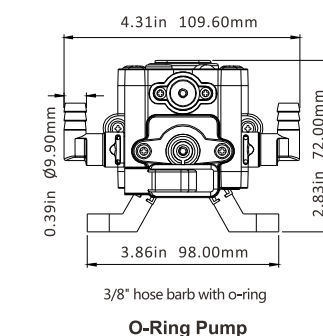
- 4 Year Warranty
- Capable of supplying 1-2 fixtures
- By-pass technology reduces cycling
- On-demand pressure switch
- Adjustable pressure setting
- Capable of up to 100PSI
- Can run dry
- Quiet operation

Pump

- Type**
2 Chamber positive displacement diaphragm pump, self priming, capable of being run dry
- Mode**
On-Demand Switch
- Priming Capabilities**
6 feet (1.8 m) inlet suction lift
- Max Pressure**
100 PSI (6.9 bar)
- Inlet/Outlet Ports**
3/8" hose barb
Custom O-Ring Outlets available)
- Weight**
2.6 lbs (1.18 kg)

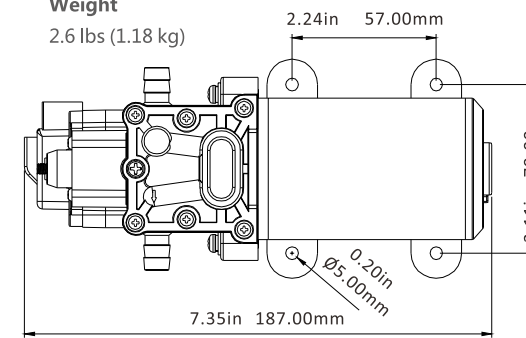
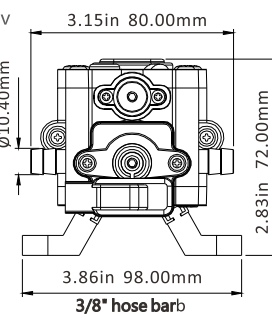
Typical Applications

- Marine & RV Water Supply
- Agricultural Spraying
- General Industrial
- OEM/ODM Applications



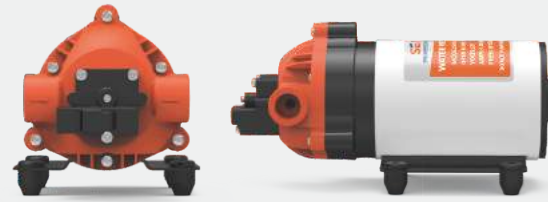
Motor

- Duty Cycle**
Intermittent
- Leads**
18 AWG, 9.5" long
- Voltage**
12v/24v



STANDARD PUMP CONFIGURATIONS (Inquire about other configurations, or valve and diaphragm materials)

Model	Voltage	GPM/LPM	Switch	Amps	PSI/BAR	Valves	Diaphragm	Ports
SFDP1-013-060-22	12V	1.3/5.0	Demand	5.0 MAX	60/4.1	EPDM	Santoprene	3/8" Barb (or Custom O-Ring)
SFDP2-013-060-22	24V	1.3/5.0	Demand	2.5 MAX	60/4.1	EPDM	Santoprene	3/8" Barb (or Custom O-Ring)
SFDP1-013-100-22	12V	1.3/5.0	Demand	6.0 MAX	100/6.9	EPDM	Santoprene	3/8" Barb (or Custom O-Ring)
SFDP2-013-100-22	24V	1.3/5.0	Demand	3.0 MAX	100/6.9	EPDM	Santoprene	3/8" Barb (or Custom O-Ring)
SFDP1-014-080-22	12V	1.4/5.1	Demand	5.5 MAX	80/5.5	EPDM	Santoprene	3/8" Barb (or Custom O-Ring)



Diaphragm Pump 31 Series

The 31-Series is our continuous-duty on-demand positive displacement pump. This pump design provides high flow rates in applications with high discharge pressures, making it a great choice for heavy-duty agricultural spraying. This 3-chamber diaphragm pump provides up to 1.8 gallons per minute and is capable of self-priming up to 6 vertical feet, and can run dry without damage. This automatic demand water system pump has a built-in pressure switch, which automatically starts and stops when the outlet valve is opened and closed. This pump provides maximum performance in a variety of agricultural and industrial applications.

Features & Benefits

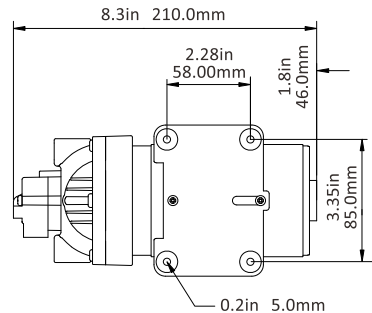
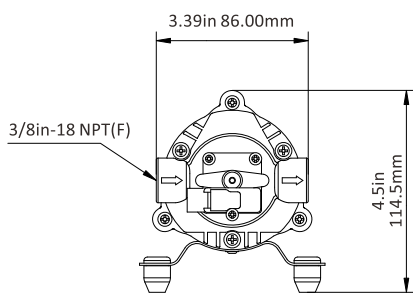
- 4 Year Warranty
- Continuous Duty
- Up to 1.8 GPM
- Self priming
- Run dry safe
- Quiet operation
- On-demand use
- Industry Standard mounting pattern
- Adjustable pressure switch

Pump

- Type**
3 Chamber positive displacement diaphragm pump, self priming, capable of being run dry
- Mode**
On-demand pressure switch
- Priming Capabilities**
6 feet (1.8 m) suction lift
- Max Pressure**
80 PSI (5.5 bar)
- Inlet/Outlet Ports**
3/8"-18 FNPT
- Weight**
5.0 lbs (2.28 kg)

Motor

- Duty Cycle**
Continuous
- Leads**
16 AWG, 4.5" long with 2-Pin Connector/Leads
- Voltage**
DC 12v/DC 24v



Standard Accessories



STANDARD PUMP CONFIGURATIONS

Model	Voltage	Switch	GPM/LPM	PSI/BAR	Max Draw(A)	Valves	Diaphragm	Ports	Wire Connections
SFDP1-015-080-31	12V	Demand	1.5/5.5	80/5.5	8.0	EPDM	Santoprene	3/8"-18 FNPT	2-Pin/Leads
SFDP2-015-080-31	24V	Demand	1.5/5.5	80/5.5	4.5	EPDM	Santoprene	3/8"-18 FNPT	2-Pin/Leads
SFDP1-018-080-31	12V	Demand	1.8/7.0	80/5.5	9.0	EPDM	Santoprene	3/8"-18 FNPT	2-Pin/Leads
SFDP2-018-080-31	24V	Demand	1.8/7.0	80/5.5	4.5	EPDM	Santoprene	3/8"-18 FNPT	2-Pin/Leads

Diaphragm Pump 35 Series

The 35-Series is our continuous-duty on-demand positive displacement pump. This pump design provides high flow rates in applications with high discharge pressures, making it a great choice for heavy-duty agricultural spraying. This 3-chamber diaphragm pump provides up to 1.8 gallons per minute and is capable of self-priming up to 6 vertical feet, and can run dry without damage. Quick Attach fittings allow for easy installation or replacement. This automatic demand water system pump has a built-in pressure switch, which automatically starts and stops when the outlet valve is opened and closed. This pump provides maximum performance in a variety of agricultural and industrial applications.

Features & Benefits

- 4 Year Warranty
- Continuous Duty
- Up to 1.8 GPM
- Self priming
- Quick connect clip-in fittings
- Run dry safe
- Quiet operation
- On-demand use
- Industry standard mounting pattern
- Adjustable pressure switch

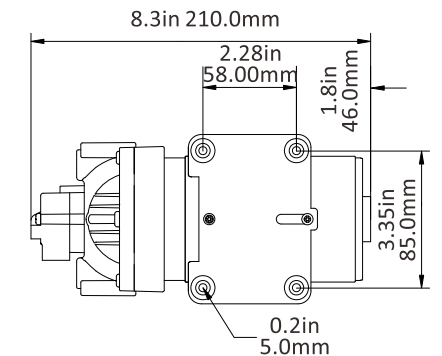
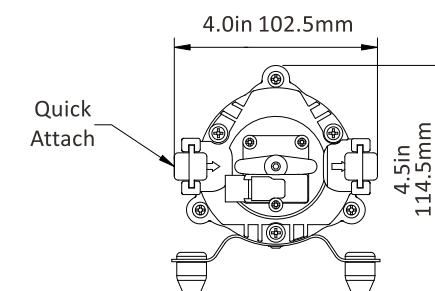
Pump

- Type**
3 Chamber positive displacement diaphragm pump, self priming, capable of being run dry
- Mode**
On-demand pressure switch
- Priming Capabilities**
6 feet (1.8 m) suction lift
- Max Pressure**
80 PSI (5.5 bar)
- Inlet/Outlet Ports**
Quick Attach w/ Multiple Fitting Options
- Weight**
5.7 lbs (2.6 kg)

Motor

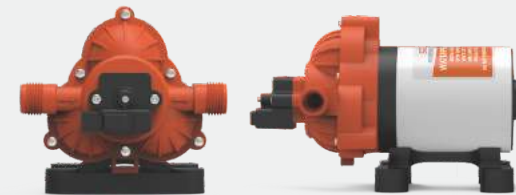
- Duty Cycle**
Continuous
- Leads**
16 AWG, 4.5" long with 2-Pin Connector/Leads
- Voltage**
DC 12v/DC 24v

Standard Accessories



STANDARD PUMP CONFIGURATIONS

Model	Voltage	Switch	GPM/LPM	PSI/BAR	Max Draw(A)	Valves	Diaphragm	Ports	Wire Connections
SFDP1-015-080-35	12V	Demand	1.5/5.5	80/5.5	8.0	EPDM	Santoprene	Quick Attach	2-Pin/Leads
SFDP2-015-080-35	24V	Demand	1.5/5.5	80/5.5	4.5	EPDM	Santoprene	Quick Attach	2-Pin/Leads
SFDP1-018-080-35	12V	Demand	1.8/7.0	80/5.5	9.0	EPDM	Santoprene	Quick Attach	2-Pin/Leads
SFDP2-018-080-35	24V	Demand	1.8/7.0	80/5.5	4.5	EPDM	Santoprene	Quick Attach	2-Pin/Leads



Diaphragm Pump 34 Series

The 34-Series is our continuous-duty on-demand positive displacement pump. This pump design provides high flow rates in applications with high discharge pressures, making it a great choice for heavy-duty agricultural spraying. This 3-chamber diaphragm pump provides up to 2.2 gallons per minute and is capable of self-priming up to 6 vertical feet, and can run dry without damage. This automatic demand water system pump has a built-in pressure switch, which automatically starts and stops when the outlet valve is opened and closed. This pump provides maximum performance in a variety of agricultural and industrial applications.

Features & Benefits

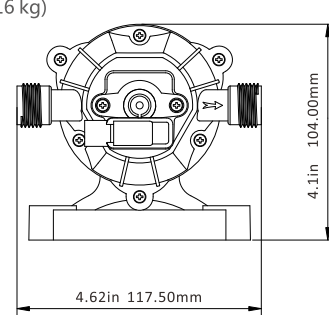
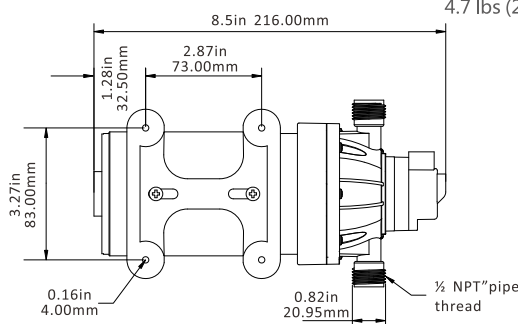
- 4 Year Warranty
- Continuous Duty
- Up to 2.2 GPM
- Self priming
- Run dry safe
- Quiet operation
- On-demand use
- Industry Standard mounting pattern
- Completely rubber mounting-base
- Adjustable pressure switch
- Up to 100 PSI

Pump

- Type**
3 chamber positive displacement diaphragm pump, self priming, capable of being run dry
- Mode**
On-demand
- Priming Capabilities**
6 feet (1.8 m) suction lift
- Max Pressure**
100 PSI (6.9 bar)
- Inlet/Outlet Ports**
1/2"-14 MNPT
- Weight**
4.7 lbs (2.16 kg)

Motor

- Duty Cycle**
Continuous
- Leads**
16 AWG, 4.5" long with 2-Pin connector/Leads



Standard Accessories



STANDARD PUMP CONFIGURATIONS

Model	Voltage	Switch	GPM/LPM	PSI/BAR	Max Draw (A)	Valves	Diaphragm	Ports	Wire Connections
SFDP1-022-070-34	12V	Demand	2.2/8.3	70/4.8	7.5	EPDM	Santoprene	1/2"-14 MNPT	2-Pin/Leads
SFDP2-022-070-34	24V	Demand	2.2/8.3	70/4.8	4.0	EPDM	Santoprene	1/2"-14 MNPT	2-Pin/Leads
SFDP1-016-100-34	12V	Demand	1.6/6.0	100/6.9	6.0	EPDM	Santoprene	1/2"-14 MNPT	2-Pin/Leads
SFDP2-016-100-34	24V	Demand	1.6/6.0	100/6.9	4.0	EPDM	Santoprene	1/2"-14 MNPT	2-Pin/Leads

Diaphragm Pump 33 Series

The 33-Series is our 3-chamber diaphragm pump, providing up to 3.3 gallons per minute. This automatic water system pump is designed for boats and RV's with multiple fixture water systems. This automatic demand water system pump has a built-in pressure switch, which automatically starts and stops when the faucet is opened and closed. This one pump is capable of supplying up to 3 fixtures. The innovative and efficient design allows for very quiet operation, while providing reliable high-flow performance and longevity. Completely rubber mounting base absorbs vibration and reduces noise. This pump is capable of self-priming up to 9 vertical feet, and can run dry without damage. They're easy to install and service.

Features & Benefits

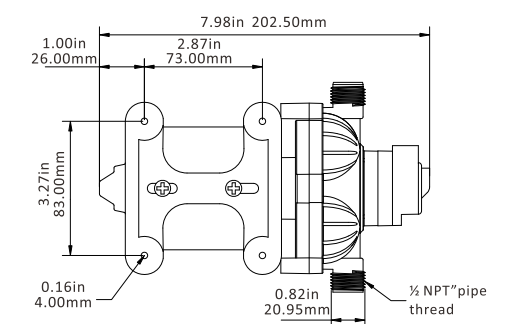
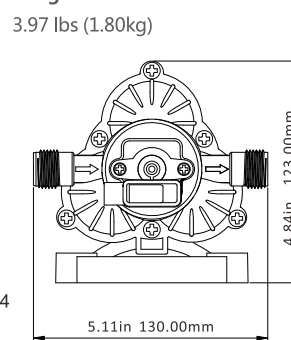
- 4 Year Warranty
- Capable of supplying 2-3 fixtures
- Up to 3.0 GPM
- Self priming
- Run dry safe
- Quiet operation
- On-demand use
- Industry Standard mounting pattern
- Completely rubber mounting-base
- Adjustable pressure switch

Pump

- Type**
3 chamber positive displacement diaphragm pump, self priming, capable of being run dry
- Mode**
On-demand
- Priming Capabilities**
6 feet (1.8 m) suction lift
- Pressure Switch Setting**
45 PSI (3.1 bar)
- Inlet/Outlet Ports**
1/2"-14 MNPT
- Weight**
3.97 lbs (1.80kg)

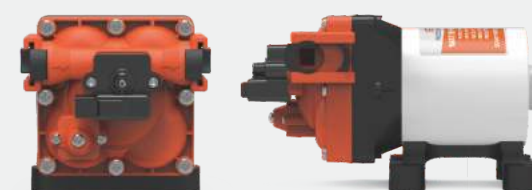
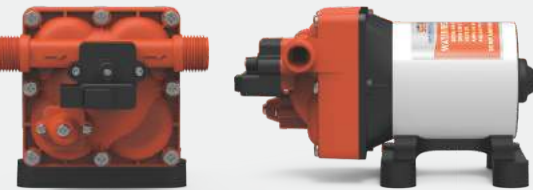
Motor

- Duty Cycle**
Intermittent
- Leads**
16 AWG, 4.5" long with 2-Pin connector/Leads
- Voltage**
12v/24v



STANDARD PUMP CONFIGURATIONS

Model	Voltage	Switch	GPM/LPM	PSI/BAR	Max Draw(A)	Valves	Diaphragm	Ports	Wire Connections
SFDP1-030-045-33	12V	Demand	3.0/11.6	45/3.1	8.0	EPDM	Santoprene	1/2"-14 MNPT	2-Pin/Leads
SFDP2-030-045-33	24V	Demand	3.0/11.6	45/3.1	4.0	EPDM	Santoprene	1/2"-14 MNPT	2-Pin/Leads
SFDP1-028-045-33	12V	Demand	2.8/10.6	45/3.1	6.0	EPDM	Santoprene	1/2"-14 MNPT	2-Pin/Leads
SFDP2-028-045-33	24V	Demand	2.8/10.6	45/3.1	3.5	EPDM	Santoprene	1/2"-14 MNPT	2-Pin/Leads



Diaphragm Pump 42 Series

The 42-Series is our 4-chamber diaphragm pump, providing up to 3.0 gallons per minute. This automatic water system pump is designed for boats and RVs with multiple fixture water systems. This automatic demand water system pump has a built-in pressure switch, which automatically starts and stops when the faucet is opened and closed. This pump also features an innovative internal bypass feature, which reduces pump cycling at low flow. This one pump is capable of supplying up to 3 fixtures. The design allows for very quiet operation, while providing reliable high-flow performance and longevity. The completely rubber mounting base absorbs vibration and reduces noise. This pump is capable of self-priming up to 6 vertical feet, and can run dry without damage. They're easy to install and service.

Features & Benefits

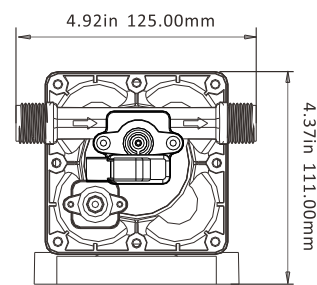
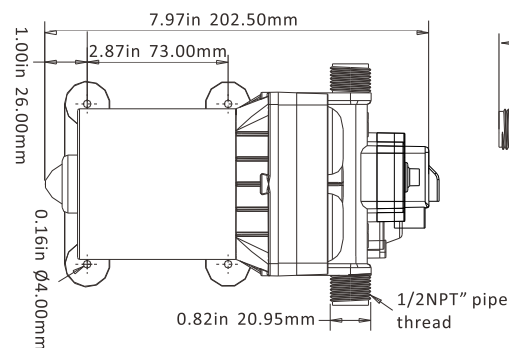
- 4 Year Warranty
- Up to 3.0 GPM
- Self priming
- Run dry safe
- Quiet operation
- On-demand use
- Industry Standard mounting pattern
- Completely rubber mounting-base
- Internal bypass technology reduces cycling

Pump

- Type**
4 chamber positive displacement diaphragm pump, self priming, capable of being run dry
- Mode**
On-demand
- Priming Capabilities**
6 feet (1.8 m) suction lift
- Pressure Setting:**
55 PSI (3.8 bar)
- Inlet/Outlet Ports**
1/2"-14 MNPT
- Weight**
4.1 lbs (1.90 kg)

Motor

- Duty Cycle**
Intermittent
- Leads**
16 AWG, 4.5" long with 2-Pin connector/Leads



Standard Accessories



Other optional accessories please refer to page 43-44

STANDARD PUMP CONFIGURATIONS

Model	Voltage	Switch	GPM/LPM	PSI/BAR	Max Draw(A)	Valves	Diaphragm	Ports	Wire Connections
SFDP1-030-055-42	12V	Demand	3.0/11.3	55/3.8	7.5	EPDM	Santoprene	1/2"-14 MNPT	2-Pin/Leads
SFDP2-030-055-42	24V	Demand	3.0/11.3	55/3.8	4.0	EPDM	Santoprene	1/2"-14 MNPT	2-Pin/Leads

Diaphragm Pump 43 Series

The 43-Series is our 4-chamber diaphragm pump, providing up to 3.0 gallons per minute. This automatic water system pump is designed for boats and RV's with multiple fixture water systems. This automatic demand water system pump has a built-in pressure switch, which automatically starts and stops when the faucet is opened and closed. This pump also features an innovative internal bypass feature, which reduces pump cycling at low flow. Quick-Attach fittings allow for easy installation or replacement. This one pump is capable of supplying up to 3 fixtures. The design allows for very quiet operation, while providing reliable high-flow performance and longevity. The completely rubber mounting base absorbs vibration and reduces noise. This pump is capable of self-priming up to 6 vertical feet, and can run dry without damage. They're easy to install and service.

Features & Benefits

- 4 Year Warranty
- Up to 3.0 GPM
- Quick-Connect fittings
- Self priming
- Run dry safe
- Quiet operation
- On-demand use
- Industry Standard mounting pattern
- Completely rubber mounting-base Internal bypass technology reduces cycling

Pump

- Type**
4 chamber positive displacement diaphragm pump, self priming, capable of being run dry
- Mode**
On-demand
- Priming Capabilities**
6 feet (1.8 m) suction lift
- Pressure Setting:**
55 PSI (3.8 bar)
- Inlet/Outlet Ports**
Quick Attach
- Weight**
4.1 lbs (1.90 kg)

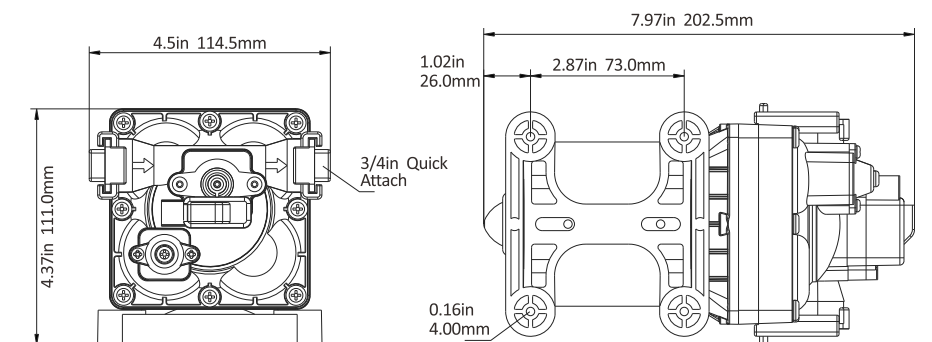
Motor

- Duty Cycle**
Intermittent
- Leads**
16 AWG, 4.5" long with 2-Pin connector/Leads

Standard Accessories



Other optional accessories please refer to page 43-44



STANDARD PUMP CONFIGURATIONS

Model	Voltage	Switch	GPM/LPM	PSI/BAR	Max Draw(A)	Valves	Diaphragm	Ports	Wire Connections
SFDP1-030-055-43	12V	Demand	3.0/11.3	55/3.8	7.5	EPDM	Santoprene	Quick Attach	2-Pin/Leads
SFDP2-030-055-43	24V	Demand	3.0/11.3	55/3.8	4.0	EPDM	Santoprene	Quick Attach	2-Pin/Leads



Diaphragm Pump 41 Series-Short

The 41-Series-Short is our 4-chamber diaphragm pump, providing up to 3.3 gallons per minute. This automatic water system pump is designed for boats and RVs with multiple fixture water systems. This automatic demand water system pump has a built-in pressure switch, which automatically starts and stops when the faucet is opened and closed. These models are designed to run on water systems with no accumulator tank necessary and is capable of supplying up to 3 fixtures. This pump is capable of self-priming up to 9 vertical feet, and can run dry without damage. They're easy to install and service with quick-connect fittings.

Features & Benefits

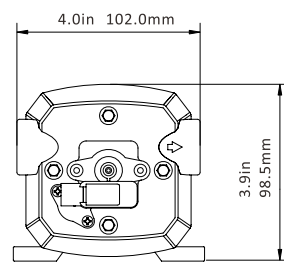
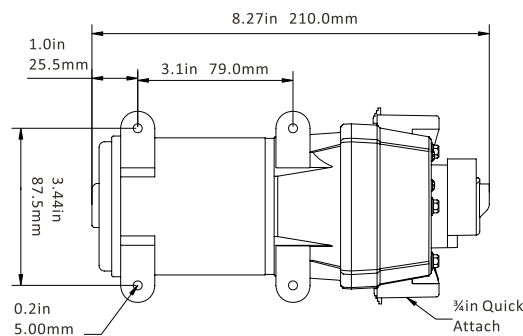
- 4 Year Warranty
- Up to 3.3 GPM
- Can supply up to 3 fixtures
- Quick-Connect fittings
- Self priming
- Run dry safe
- On-demand use
- Industry Standard mounting pattern
- Rubber mounting-feet
- Can be used for Fresh & Salt Water
- Adjustable pressure switch

Pump

- Type**
4 chamber positive displacement diaphragm pump, self priming, capable of being run dry
- Mode**
On-demand
- Priming Capabilities**
6 feet (1.8 m) suction lift
- Inlet/Outlet Ports**
Quick Attach
- Weight**
4.0 lbs (1.80 kg)

Motor

- Duty Cycle**
Intermittent
- Leads**
16 AWG, 4.5" long with 2-Pin connector/Leads



Standard Accessories



Other optional accessories please refer to page 43-44

STANDARD PUMP CONFIGURATIONS

Model	Voltage	Switch	GPM/LPM	PSI/BAR	Max Draw(A)	Valves	Diaphragm	Ports	Wire Connections
SFDP1-027-017-41	12V	Demand	2.7/10.0	17/1.2	4.5	EPDM	Santoprene	Quick Attach	2-Pin/Leads
SFDP2-027-017-41	24V	Demand	2.7/10.0	17/1.2	2.0	EPDM	Santoprene	Quick Attach	2-Pin/Leads
SFDP1-033-035-41	12V	Demand	3.3/12.5	35/2.4	8.0	EPDM	Santoprene	Quick Attach	2-Pin/Leads
SFDP2-033-035-41	24V	Demand	3.3/12.5	35/2.4	4.0	EPDM	Santoprene	Quick Attach	2-Pin/Leads

Diaphragm Pump 41 Series-Long

The 41-Series-Long is our 4-chamber diaphragm pump, providing up to 4.5 gallons per minute. This automatic water system pump is designed for boats and RVs with multiple fixture water systems. This automatic demand water system pump has a built-in pressure switch, which automatically starts and stops when the faucet is opened and closed. These models are designed to run on water systems with no accumulator tank necessary and is capable of supplying up to 4 fixtures. This pump is capable of self-priming up to 9 vertical feet, and can run dry without damage. They're easy to install and service with quick-connect fittings.

Features & Benefits

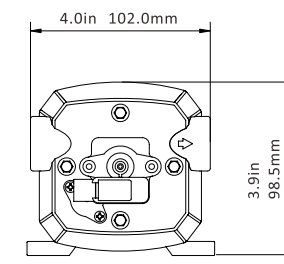
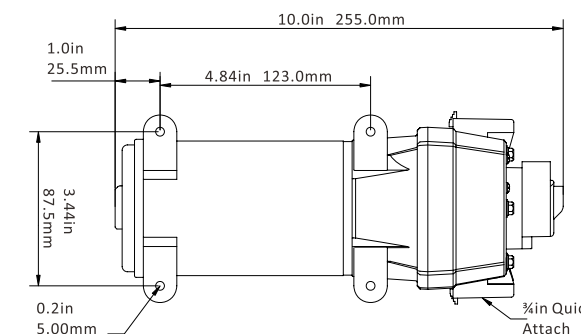
- 4 Year Warranty
- Up to 4.5 GPM
- Can supply up to 4 fixtures
- Quick-Connect fittings
- Self priming
- Run dry safe
- On-demand use
- Industry Standard mounting pattern
- Rubber mounting-feet
- Can be used for Fresh & Salt Water
- Adjustable pressure switch

Pump

- Type**
4 chamber positive displacement diaphragm pump, self priming, capable of being run dry
- Mode**
On-demand
- Priming Capabilities**
6 feet (1.8 m) suction lift
- Inlet/Outlet Ports**
Quick Attach
- Weight**
5.0 lbs (2.30 kg)

Motor

- Duty Cycle**
Intermittent
- Leads**
16 AWG, 4.5" long with 2-Pin connector/Leads



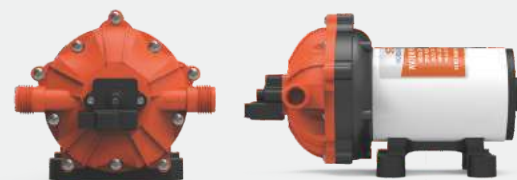
Standard Accessories



Other optional accessories please refer to page 43-44

STANDARD PUMP CONFIGURATIONS

Model	Voltage	Switch	GPM/LPM	PSI/BAR	Max Draw(A)	Valves	Diaphragm	Ports	Wire Connections
SFDP1-045-040-41	12V	Demand	4.5/17.0	40/2.8	15.0	EPDM	Santoprene	Quick Attach	2-Pin/Leads
SFDP2-045-040-41	24V	Demand	4.5/17.0	40/2.8	6.0	EPDM	Santoprene	Quick Attach	2-Pin/Leads



Diaphragm Pump 51 Series

The 51-Series is our durable continuous-duty automatic water system pump. It provides up to 5.5 gallons per minute! The large 5-chamber diaphragm, provides high volume water flow with reduced pump cycling. This automatic water system pump is designed for boats and RVs with multiple fixture water systems. Due to its robust motor and heavy-duty construction, it's also a popular choice for use with tough agricultural and industrial applications. These models are designed to run on water systems with no accumulator tank necessary, and up to 4 fixtures! The innovative and efficient design allows for the quietest operation in its flow-class. The completely rubber mounting base absorbs vibration and reduces noise. The 51-Series pumps are self-priming, and can run dry without damage. This automatic demand water system pump has a built-in pressure switch, which automatically starts and stops and stops the pump when the faucet is opened and closed. They are easy to install, service and winterize.

Features & Benefits

- 4 Year Warranty
- Up to 5.5 GPM
- Continuous Duty
- Can supply up to 4 fixtures
- Very quiet operation
- Self priming
- Run dry safe
- On-demand use
- Industry Standard mounting pattern
- Completely Rubber Mounting Base**
- Can be used for Fresh & Salt Water
- Adjustable pressure switch
- Heavy-Duty Motor
- Can be used with fresh or salt water**

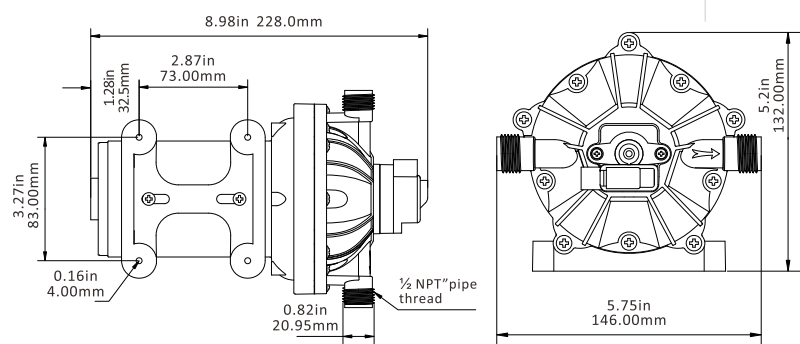
Pump

- Type**
- 5 chamber positive displacement diaphragm pump, self priming, capable of being run dry
- Mode**
- On-Demand
- Priming Capabilities**
- 6 feet (1.8 m) suction lift
- Max Pressure**
- 70 PSI (4.8 bar)
- Inlet/Outlet Ports**
- 1/2"-14 MNPT
- Weight**
- 5.9 lbs (2.68 kg)

Standard Accessories



Other optional accessories please refer to page 43-44



Model	Voltage	Switch	GPM/LPM	PSI/BAR	Max Draw(A)	Valves	Diaphragm	Ports	Wire Connections
SFDP1-030-060-51	12V DC	Demand	3.0/11.5	60/4.2	10.0	EPDM	Santoprene	1/2"-14 MNPT	2-Pin/Leads
SFDP2-030-060-51	24V DC	Demand	3.0/11.5	60/4.2	5.5	EPDM	Santoprene	1/2"-14 MNPT	2-Pin/Leads
SFDP1-040-060-51	12V DC	Demand	4.0/15.0	60/4.2	13.0	EPDM	Santoprene	1/2"-14 MNPT	2-Pin/Leads
SFDP2-040-060-51	24V DC	Demand	4.0/15.0	60/4.2	7.0	EPDM	Santoprene	1/2"-14 MNPT	2-Pin/Leads
SFDP1-050-060-51	12V DC	Demand	5.0/18.9	60/4.2	17.0	EPDM	Santoprene	1/2"-14 MNPT	2-Pin/Leads
SFDP2-050-060-51	24V DC	Demand	5.0/18.9	60/4.2	9.0	EPDM	Santoprene	1/2"-14 MNPT	2-Pin/Leads
SFDP1-050-060-51	12V DC	Demand	5.5/20.8	60/4.2	17.0	EPDM	Santoprene	1/2"-14 MNPT	2-Pin/Leads
SFDP2-050-060-51	24V DC	Demand	5.5/20.8	60/4.2	9.0	EPDM	Santoprene	1/2"-14 MNPT	2-Pin/Leads



Diaphragm Pump 52 Series

The 52-Series is our durable continuous-duty automatic water system pump. Quick Attach Fittings make installation or service easy. It provides up to 5.0 gallons per minute! The large 5-chamber diaphragm, provides high volume water flow with reduced pump cycling. This automatic water system pump is designed for boats and RVs with multiple fixture water systems. Due to its robust motor and heavy-duty construction, it's also a popular choice for use with tough agricultural and industrial applications. These models are designed to run on water systems with no accumulator tank necessary, and up to 4 fixtures! The innovative and efficient design allows for the quietest operation in its flow-class. The completely rubber mounting base absorbs vibration and reduces noise. The 52-Series pumps are self-priming, and can run dry without damage. This automatic demand water system pump has a built-in pressure switch, which automatically starts and stops and stops the pump when the faucet is opened and closed. They're easy to install and service with quick-connect fittings.

Features & Benefits

- 4 Year Warranty
- Up to 5.0 GPM
- Continuous Duty
- Can supply up to 4 fixtures
- Quick connect fittings
- Very quiet operation
- Self priming
- Run dry safe
- On-demand use
- Industry Standard mounting pattern
- Completely Rubber Mounting Base**
- Can be used for Fresh & Salt Water
- Adjustable pressure switch
- Heavy-Duty Motor
- Can be used with fresh or salt water**

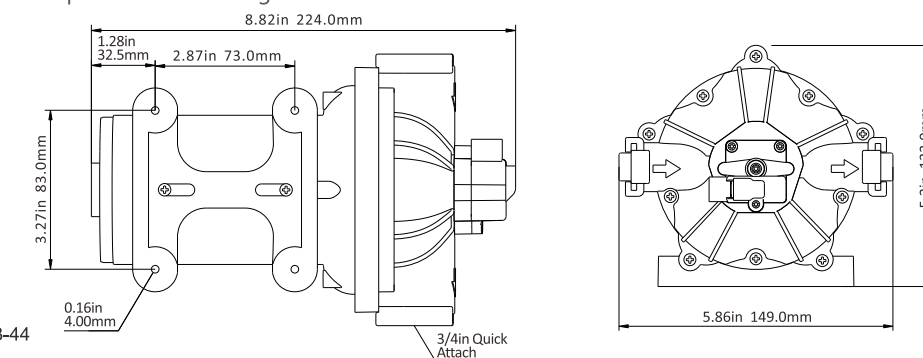
Pump

- Type**
- 5 chamber positive displacement diaphragm pump, self priming, capable of being run dry
- Mode**
- On-Demand
- Priming Capabilities**
- 6 feet (1.8 m) suction lift
- Max Pressure**
- 70 PSI (4.8 bar)
- Inlet/Outlet Ports**
- Quick Attach
- Weight**
- 5.95lbs (2.70 kg)

Standard Accessories



Other optional accessories please refer to page 43-44



STANDARD PUMP CONFIGURATIONS

Model	Voltage	Switch	GPM/LPM	PSI/BAR	Max Draw(A)	Valves	Diaphragm	Ports	Wire Connections
SFDP1-030-060-52	12V DC	Demand	3.0/11.5	60/4.2	10.0	EPDM	Santoprene	Quick Attach	2-Pin/Leads
SFDP2-030-060-52	24V DC	Demand	3.0/11.5	60/4.2	5.5	EPDM	Santoprene	Quick Attach	2-Pin/Leads
SFDP1-040-060-52	12V DC	Demand	4.0/15.0	60/4.2	13.0	EPDM	Santoprene	Quick Attach	2-Pin/Leads
SFDP2-040-060-52	24V DC	Demand	4.0/15.0	60/4.2	7.0	EPDM	Santoprene	Quick Attach	2-Pin/Leads
SFDP1-050-060-52	12V DC	Demand	5.0/18.9	60/4.2	17.0	EPDM	Santoprene	Quick Attach	2-Pin/Leads
SFDP2-050-060-52	24V DC	Demand	5.0/18.9	60/4.2	9.0	EPDM	Santoprene	Quick Attach	2-Pin/Leads
SFDP1-050-070-52	12V DC	Demand	5.0/18.9	70/4.8	18.0	EPDM	Santoprene	Quick Attach	2-Pin/Leads
SFDP2-050-070-52	24V DC	Demand	5.0/18.9	70/4.8	10.0	EPDM	Santoprene	Quick Attach	2-Pin/Leads



Diaphragm Pump 53 Series

The 53-Series is our Heaviest-Duty diaphragm water pump. It provides high volume water flow with reduced pump cycling, thanks to the large five-chamber diaphragm. Quick Attach Fittings make installation or replacement easy. These models are designed to run on water systems with no accumulator tank necessary, and up to five fixtures! Due to its robust motor and heavy-duty construction, it's a popular choice for use with tough agricultural applications. It provides up to 7.0 gallons per minute! The 53-Series pumps are self-priming, and can run dry without damage. This automatic demand water pump has a built-in pressure switch, which automatically starts and stops and stops the pump when the faucet is opened and closed. They are easy to install, service and winterize.

Features & Benefits

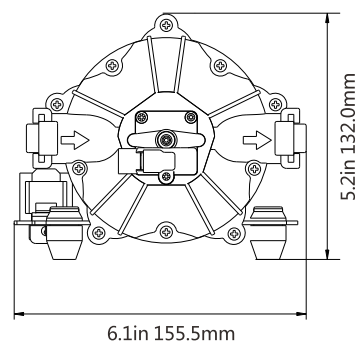
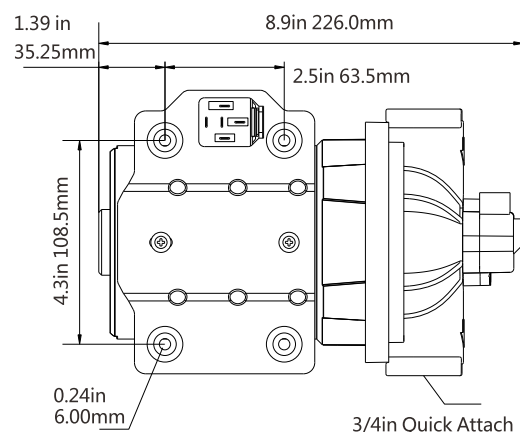
- 4 Year Warranty
- Up to 7.0 GPM !
- Continuous Duty
- Can supply up to 6 fixtures
- Heavy-Duty Motor
- Quick connect fittings
- Self priming
- Run dry safe
- On-demand use
- Can be used for Fresh & Salt Water
- Adjustable pressure switch

Pump

- Type**
5 chamber positive displacement diaphragm pump, self priming, capable of being run dry
- Mode**
Demand
- Liquid Temperature**
140°F (60°C) Max.
- Priming Capabilities**
6 feet (1.8 m) suction lift
- Max Pressure**
60 PSI (4.1 bar)
- Inlet/Outlet Ports**
Quick Attach
- Weight**
9.5 lbs (4.31 kg)

Motor

- Duty Cycle**
Continuous
- Leads**
16 AWG, 9" long with/Leads 2-Pin connector
- Voltage**
12v



Other optional accessories please refer to page 43-44

STANDARD PUMP CONFIGURATIONS

Model	Voltage	Switch	GPM/LPM	PSI/BAR	Max Draw(A)	Valves	Diaphragm	Ports	Wire Connections
SFDP1-070-060-53	12V DC	Demand	7.0/26.5	60/4.1	24.5	Viton	Santoprene	Quick Attach	Leads

Washdown Pump Kits

Our SEAFLO Washdown Kits are the best choice for cleaning boats, fish boxes, anchor wells, dinghies, and other similar applications. Our pumps are equipped with an on-demand switch, so the pump automatically turns on when you squeeze the spray gun handle. With 70 PSI cutoff, these pumps have the pressure to get rid of stubborn debris, and are capable of pumping both fresh and saltwater. Our Diaphragm Pumps are of uncompromised quality, with proven reliability. Our tough design provides performance that you can rely on for years. Have confidence when you purchase our pumps, we stand behind all of our products with an Industry-Leading 4-Year Warranty.

33-Series Washdown Pump Kit

Our general washdown kit. An awesome choice for cleaning boats, fish boxes, anchor wells, dinghies, and other similar applications. This pump boasts a large 3.0 GPM capacity. This pump has an on-demand switch, so the pump automatically turns on when you squeeze the spray gun handle. Suitable for fresh and saltwater applications.



Includes:

- (1) 3.0 GPM Washdown Pump
- (1) Trigger Spray Nozzle w/ Quick Connect
- (1) 25' Coiled Hose (UV Protected, 1/2")
- (1) Quick Hose Disconnect Fitting
- (1) 50 Mesh Inlet Strainer
- (2) 1/2" Barbed Fittings

STANDARD PUMP CONFIGURATIONS

Model	Voltage	Switch	GPM/LPM	PSI/BAR	Max Draw(A)	Valves	Diaphragm	Ports	Wire Connections
SFWP1-030-070-33	12V	Demand	3.0/11.6	70/4.8	12	EPDM	Santoprene	1/2" -14 MPNT	2-Pin/Leads
SFWP2-030-070-33	24V	Demand	3.0/11.6	70/4.8	6	EPDM	Santoprene	1/2" -14 MPNT	2-Pin/Leads

51-Series Washdown Pump Kit

Our heavy-duty washdown kit. The best choice for cleaning boats, fish boxes, anchor wells, dinghies, and other similar applications. This pump boasts a huge 5.0 GPM capacity. This pump has an on-demand switch, so the pump automatically turns on when you squeeze the spray gun handle. With 70 PSI cutoff, this has the pressure to get rid of stubborn debris. Suitable for fresh and saltwater applications.



Includes:

- (1) 5.0 GPM Heavy-Duty Washdown Pump
- (1) Trigger Spray Nozzle w/ Quick Connect
- (1) 25' Coiled Hose (UV Protected, 1/2")
- (1) Quick Hose Disconnect Fitting
- (1) 50 Mesh Inlet Strainer
- (2) 1/2" Barbed Fittings

STANDARD PUMP CONFIGURATIONS

Model	Voltage	Switch	GPM/LPM	PSI/BAR	Max Draw(A)	Valves	Diaphragm	Ports	Wire Connections
SFWP1-050-070-51	12V	Demand	5.0/18.9	70/4.8	18	EPDM	Santoprene	1/2"-14 MPNT	2-Pin/Leads
SFWP2-050-070-51	24V	Demand	5.0/18.9	70/4.8	9	EPDM	Santoprene	1/2" -14 MPNT	2-Pin/Leads



Macerator Pump 01 Series

The SEAFLO 01-Series DC macerator pump unit is the ideal solution for the emptying of marine sanitation waste, fish boxes and livewell tanks. It's unique quad chopping-blade design ensures that the contents are completely ground down for problem-free pumping. This pump will empty a typical 30 gallon (115 liter) holding tank in less than 3 minutes. Duty cycle of the pump is 15 minutes continuous, which means a 180 gallon (680 liter) can be emptied in a single operation. If there ever happens to be a clog, just twist the knob on the back of the pump to free it.

Features & Benefits

- 4 Year Warranty
- Completely new design for 2017!
- Sealed motor
- Easy reach knob in case of clogs
- Run Dry for short periods of time
- New 4-blade design
- Thermally Protected
- Ignition Protected

Pump

- Power**
12 amps max current draw
- Inlet/Outlet Ports**
Inlet:
1.5" (39 mm) Hose Barb
1.5" (39 mm) Threaded Fitting
Outlet:
1" Hose Barb
- Weight**
4.9 lbs (2.24 kg)

Motor

- Leads**
Wire leads
- Duty Cycle**
Intermittent
- Voltage**
12v/24v

Typical Applications

- RV & Campers
- Boats & Mobile Kitchenware
- Industrial
- Marine



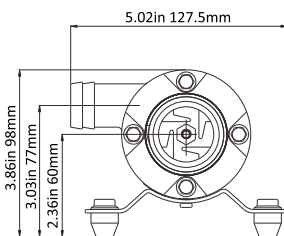
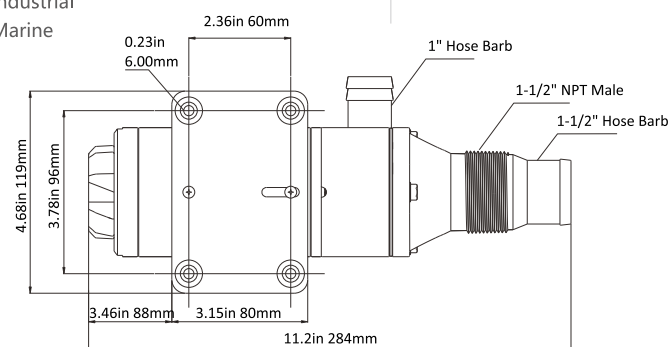
Knob



Blade



Impeller
(0.31") 8 mm



STANDARD PUMP CONFIGURATIONS

Model	Voltage	GPM/LPM	Dimensions	Impeller	Ports	Lead	Molded	Max Draw(A)
SFMP1-120-01	12v	12/45.0	11.18" x 5.01" x 3.85" 284 x 127.5 x 98mm	Rubber & Aluminum	Inlet 1-1/2" Barb/1-1/2" NPT Outlet 1" Barb	Yes	N/A	12.0
SFMP2-120-01	24v	12/45.0	11.18" x 5.01" x 3.85" 284 x 127.5 x 98mm	Rubber & Aluminum	Inlet 1-1/2" Barb/1-1/2" NPT Outlet 1" Barb	Yes	N/A	6.0

Macerator Pump 02 Series

The SEAFLO 02-Series RV macerator pump unit is the ideal waste emptying solution for your RV. With the Quick-Connect RV fitting, this pump easily attaches and removes in seconds. It's unique quad chopping-blade design ensures that the contents are grinded for problem-free pumping. This pump will empty a typical 30 gallon (115 liter) holding tank in less than 3 minutes. Duty cycle of the pump is 15 minutes continuous, which means a 180 gallon (680 liter) can be emptied in a single operation.

Features & Benefits

- 4 Year Warranty
- Dual Chopping Blades
- Sealed motor
- RV Quick Connect attachment
- Thermally protected

Pump

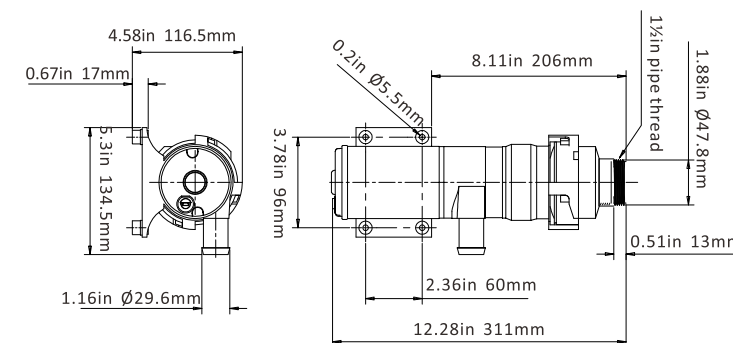
- Power**
12 amps max current draw
- Inlet/Outlet Ports**
Inlet:
1-1/2" MNPT
RV Quick Connect
Outlet:
1" Hose Barb
- Weight**
4.9 lbs (2.24 kg)

Motor

- Leads**
Wire leads
- Duty Cycle**
Intermittent
- Voltage**
12v/24v

Typical Applications

- RV & Campers
- Boats & Mobile Kitchenware
- Industrial
- Marine



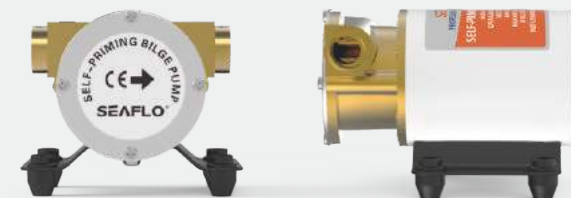
Blade



Impeller
(0.31") 8 mm

STANDARD PUMP CONFIGURATIONS

Model	Voltage	GPM/LPM	Dimensions	Impeller	Ports	Lead	Molded	Max Draw(A)
SFMP1-120-02	12v	12/45.0	13.98" x 5.24" x 4.33" 355 x 133 x 110mm	Rubber & copper	1-1/2" MNPT 1" Hose Barb	Yes	N/A	12.0
SFMP2-120-02	24v	12/45.0	13.98" x 5.24" x 4.33" 355 x 133 x 110mm	Rubber & copper	1-1/2" MNPT 1" Hose Barb	Yes	N/A	7.0



Gear Pumps

Features & Benefits

- 4 Year Warranty
- Perfect for pumping oil
- Metal pump head
- Metal gears
- Sealed Motor Design
- Thermally Protected Motor
- Self-priming
- Stainless Steel Shaft

Typical Applications

- Extreme duty
- Transmission fluid transfer
- Lubricant and viscous liquid transfer
- Industrial use
- Oil change pump

Pump

- Liquid Temperature**
140°F (60°C) Max.
- Power**
10 amps max current draw
- Inlet/Outlet Ports**
3/8" FNPT (9.52 mm) threaded fitting
- Weight**
5.46 lbs (2.48 kg)

Motor

- Type**
High quality seamless design that is thermally protected
- Leads**
Wire leads
- Temperature Limits**
140°F (60°C) Max.
- Duty Cycle**
Intermittent

- Voltage**
12v/24v

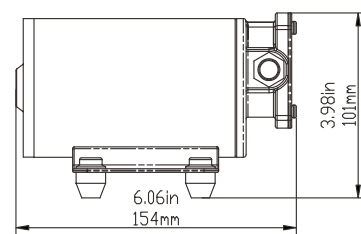
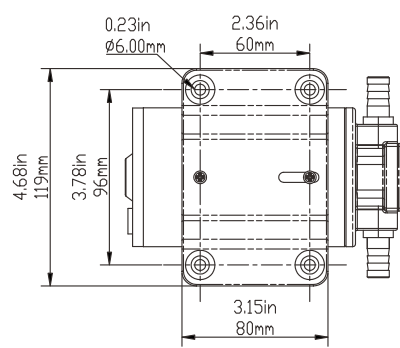
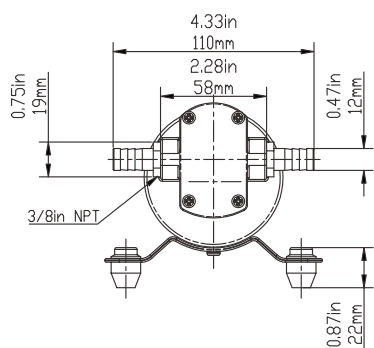


Gear



GPF001 GPF001

3/8" MNPT x 1/2" Barb



STANDARD PUMP CONFIGURATIONS

Model	Voltage	GPM/LPM	Dimensions	Gears	Ports	Lead	Molded	Max Draw(A)
SFGP1-032-003-01	12v	3.2/12.0	7.68"x5.12"x4.25" 195 x 130 x 108mm	copper	3/8" FNPT	Yes	N/A	10
SFGP2-032-003-01	24v	3.2/12.0	7.68"x5.12"x4.25" 195 x 130 x 108mm	copper	3/8" FNPT	Yes	N/A	6

Self-priming Impeller Bilge Pump

Features & Benefits

- 4 Year Warranty
- Sealed motor design
- Thermally Protected Motor
- High Quality Efficient Motor
- Self-priming
- Stainless Steel Shaft
- Great for bilge water that traditional pumps cannot get to

Typical Applications

- Bilge pump
- Industrial use
- Water transfer

Pump

- Priming Capabilities**
4 feet (1.2 m) suction lift
- Power**
10 amps max current draw
- Max Pressure**
3 m (9.8 ft)
- Inlet/Outlet Ports**
1/2" FNPT (19 mm)
- Weight**
5.46 lbs (2.48 kg)

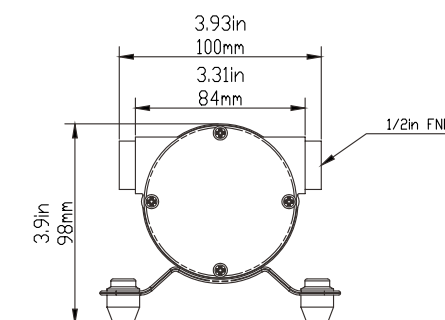
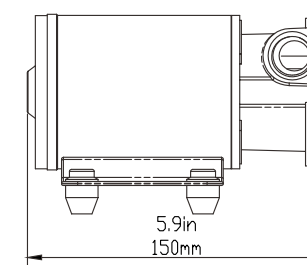
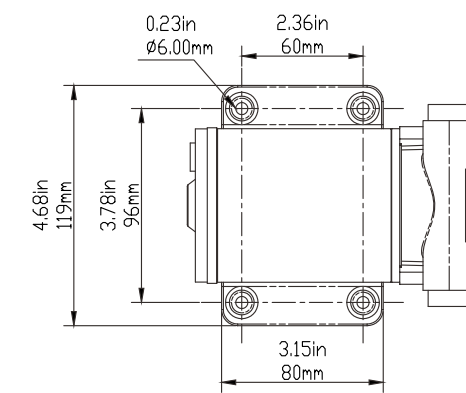
Motor

- Type**
High quality seamless design that is thermally protected
- Leads**
Wire leads
- Duty Cycle**
Intermittent
- Voltage**
12v/24v

Standard Accessories

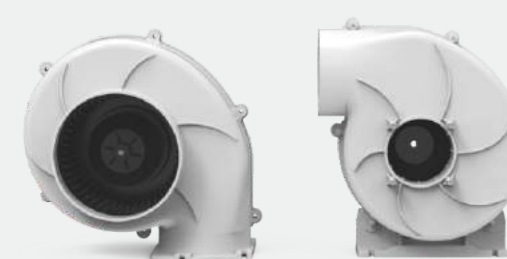
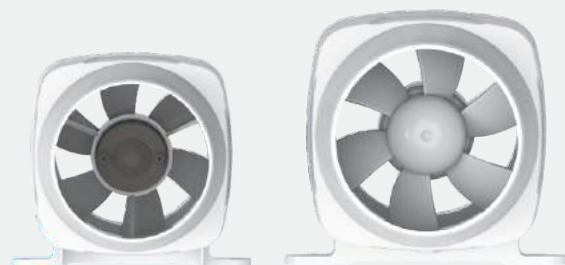


Impeller (0.31") 8 mm



STANDARD PUMP CONFIGURATIONS

Model	Voltage	GPM/LPM	Dimensions	Impeller	Ports	Lead	Molded	Max Draw(A)
SFSP1-080-003-01	12v	8.0/30.0	7.68"x5.12"x4.25" 195 x 130 x 108mm	Rubber & copper	1/2" FNPT	Yes	N/A	10.0
SFSP2-080-003-01	24v	8.0/30.0	7.68"x5.12"x4.25" 195 x 130 x 108mm	Rubber & copper	1/2" FNPT	Yes	N/A	7.0



In-Line Blowers

Features & Benefits

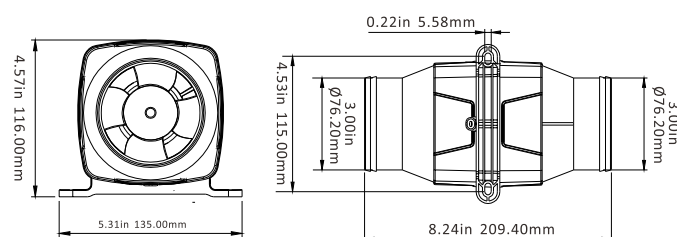
- Built-in mounting feet allow easy vertical or horizontal installation
- Very low current draw, high volume air flow, long life
- Four/Six-blade fan maximizes airflow and efficiency
- Sealed motor shaft for moisture protection
- Corrosion resistant ABS plastic housing

Typical Applications

- Boats bilge ventilation
- Engine compartments
- Galleys and heads
- Bus ventilation (engine and bathroom fumes)

01-Series In-Line Blower

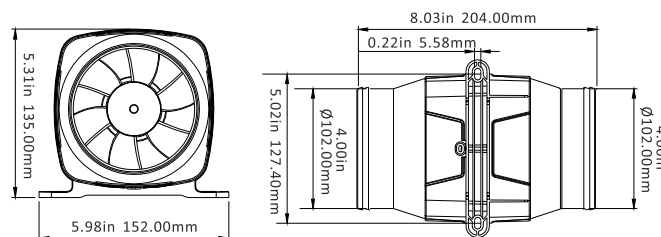
The SEAFLO 3" in-line blower is designed to provide ventilation for bilges, engine compartments, galleys and heads. The durable 4-blade design provides up to 130 CFM of air flow. SEAFLO in-line bilge blowers provide higher flow, quieter operation and lower current draw than competing blowers. Corrosion resistant ABS plastic housing and sealed motor shaft allows for water-resistance and moisture protection. The molded mounting base allows for easy installation, vertical or horizontal.



130 CFM

02-Series In-Line Blower

The SEAFLO 4" in-line blower is designed to provide superior ventilation for bilges, engine compartments, galleys and heads. The high-output 6-blade design provides up to 270 CFM of air flow. SEAFLO in-line bilge blowers provide higher flow, quieter operation and lower current draw, and higher efficiency than competing blowers. Corrosion resistant ABS plastic housing and sealed motor shaft allows for water-resistance and moisture protection. The molded mounting base allows for easy installation, vertical or horizontal.



270 CFM

Model	Volts(V)	Air Flow (cfm/cmh)	Amp Draw(A)	Fuse (A)	Intake Pipe Dia	Packing Size(mm)	N.W./G.W. (kg)
SFIB1-130-01	12V	130/220	2.5A	5.0A	3"/76	215*137*120	0.45/0.60 kg
SFIB2-130-01	24V	130/220	1.3A	3.0A	3"/76	215*137*120	0.45/0.60 kg
SFIB1-270-02	12V	270/456	6.0A	10.0A	4"/102	207*154*114	0.70/0.90 kg
SFIB2-270-02	24V	270/456	3.0A	5.0A	4"/102	207*154*114	0.70/0.90 kg

Bilge Blowers

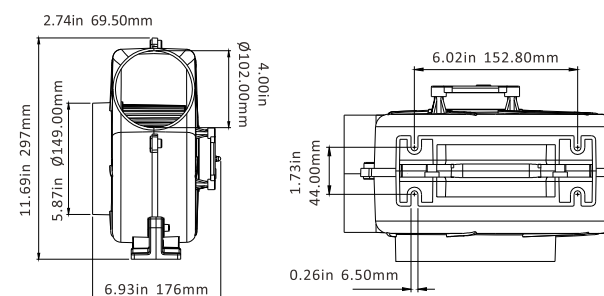
These SEAFLO 4" blowers are designed to provide ventilation for bilges, engine compartments, galleys and heads. The rugged continuous-duty motor and corrosion-resistant ABS housings offer maximum durability in marine applications. The centrifugal fan design provides up to 440 CFM of air flow. SEAFLO blowers provide higher flow, quieter operation and lower current draw than competing blowers. These blowers come in two mounting types. The 02-Series Bilge Blower is a flex mount blower. The flex mount is when the motor mounting bracket is used to secure to blower, hose would have to be connected to both the inlet and outlet. The 03-Series Bilge Blower is a flange mount blower. The flange mount is when the blower is mounted using the outlet mounting flange to secure the pump.

Features & Benefits

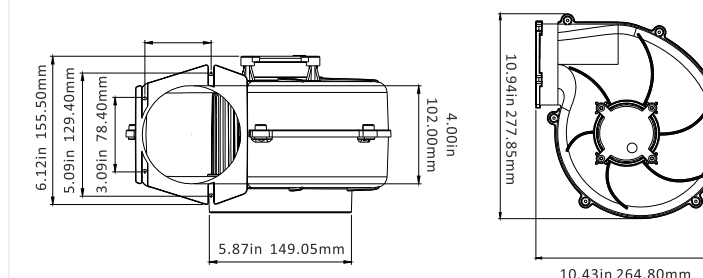
- Efficient high volume air flow
- Very low current draw, long life
- Available in either Flex Mount or Flange Mount
- Sealed motor shaft for moisture protection
- Corrosion resistant ABS plastic housing
- Ignition protected
- CE conforms with EN 50014-1, EN N 61000-3-3

Typical Applications

- Boats bilge ventilation
- Engine compartments
- Galleys and heads
- Bus ventilation (engine and bathroom fumes)



Flex Mount-02 The flex mount is when the motor mounting bracket is used to secure to blower, hose would have to be connected to both the inlet and outlet.



Flange Mount-03 The flange mount is when the blower is mounted using the outlet mounting flange to secure the pump.

Model	Volts(V)	Air Flow (cfm/cmh)	Amp Draw(A)	Fuse (A)	Packing Size(mm)	N.W./G.W. (kg)
SFBB1-320-02	12V	320/550	11.0A	16.0A	300*270*280	2.27/2.45
SFBB2-320-02	24V	320/550	6.0A	10.0A	300*270*280	2.27/2.45
SFBB1-440-02	12V	440/750	16.0A	20.0A	300*270*280	2.27/2.45
SFBB2-440-02	24V	440/750	10.0A	15.0A	300*270*280	2.27/2.45
SFBB1-320-03	12V	320/550	11.0A	16.0A	300*270*280	2.46/2.56
SFBB2-320-03	24V	320/550	6.0A	10.0A	300*270*280	2.46/2.56
SFBB1-440-03	12V	440/750	16.0A	20.0A	300*270*280	2.46/2.56
SFBB2-440-03	24V	440/750	10.0A	15.0A	300*270*280	2.46/2.56



Bilge Blowers

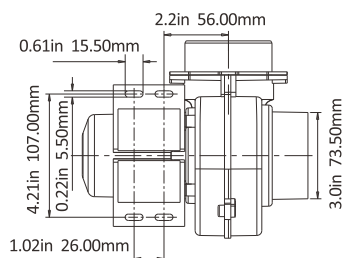
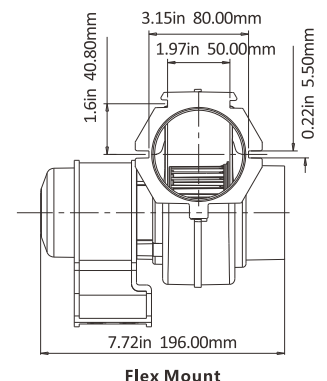
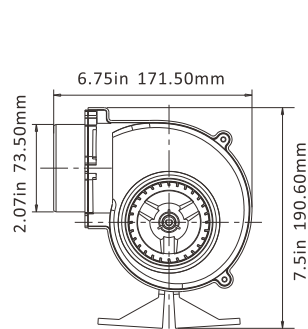
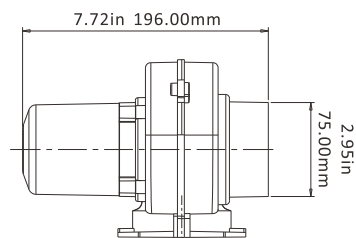
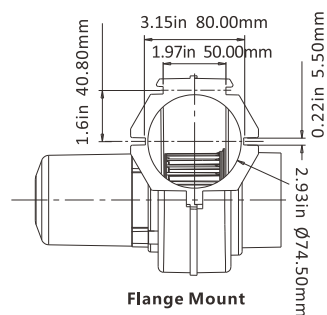
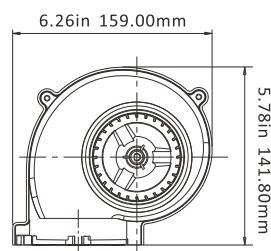
The SEAFLO 3" dual-mount blower is designed to provide ventilation for bilges, engine compartments, galleys and heads. The rugged continuous-duty motor and corrosion-resistant ABS housings offer maximum durability in marine applications. The centrifugal fan design provides up to 130 CFM of air flow. SEAFLO blowers provide higher flow, quieter operation and lower current draw than competing blowers. This blower allows for dual mounting methods, flange-mount and flex-mount. The flange mount is when the blower is mounted using the outlet mounting flange to secure the pump. The flex mount is when the motor mounting bracket is used to secure to blower, hose would have to be connected to both the inlet and outlet.

Features & Benefits

- 4 Year Warranty
- Dual Mounting Options
- Efficient high volume air flow
- Very low current draw, long life
- Flex Mount or Flange Mount
- Sealed motor shaft for moisture protection
- Corrosion resistant ABS plastic housing
- Ignition protected
- CE conforms with EN 50014-1, EN N 61000-3-3

Typical Applications

- Boats bilge ventilation
- Engine compartments
- Galleys and heads



Technical Data

Model	Volts(V)	Air Flow (cfm/cmh)	Amp Draw(A)	Fuse (A)	Packing Size(mm)	N.W./G.W. (kg)
SFBB1-130-01	12V	130/220	2.5	5	160*160*200	0.71/0.83
SFBB2-130-01	24V	130/220	1.5	3	160*160*200	0.71/0.83

SEAFLO Fuel Cans

Fuel Container Gasoline, Diesel, Two-stroke engine oil EAP & AS/NZS 2906:2001 Standards

Description

Seaflo 5, 10 & 20 Liter automatic shut off fuel cans which are designed with specially proportioned rear handle for balanced pouring that is self venting for safer & easier pouring. Features reduced emissions to protect the environment and meets EAP & AS/NZS 2906:2001 Standards

Typical Applications

Car, lawnmower, ATV or snowblower, boat dirt bike, go kart, and other essential equipment topped off with fuel

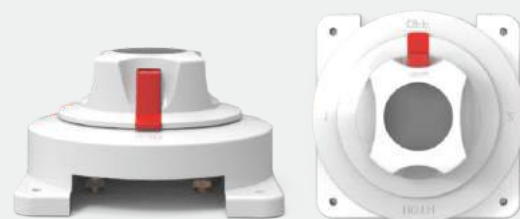
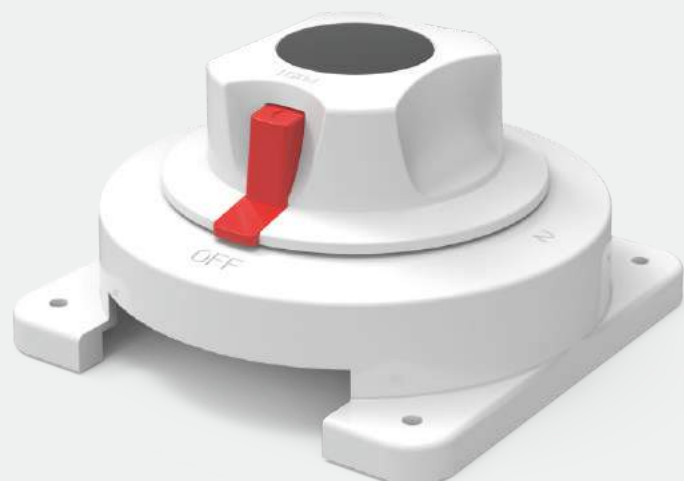
Features

- Complies to EPA & CARB Standards
- Spill Proof, Durable Vented Pouring Spout
- UV Stabilized High Grade Polyethylene
- Certified to Australian Standard AS/NZS 2906:2001



Model	Capacity	Length	Width	Height	Weight (DRY)	Fuel	Color	Handle Type
SFGT-05-01	5L	260MM	130MM	275MM	0.8KG	Gasoline	Red	Built-in
SFGT-10-01	10L	290MM	160MM	346MM	1.3KG	Gasoline	Red	Built-in
SFGT-20-01	20L	330MM	190MM	476MM	1.8KG	Gasoline	Red	Built-in
SFDT-05-01	5L	260MM	130MM	275MM	0.8KG	Diesel	Yellow	Built-in
SFDT-10-01	10L	290MM	160MM	346MM	1.3KG	Diesel	Yellow	Built-in
SFDT-20-01	20L	330MM	190MM	476MM	1.8KG	Diesel	Yellow	Built-in
SF2T-05-01	5L	260MM	130MM	275MM	0.8KG	Two-stroke Gasoline Engine Oil	Green	Built-in
SF2T-10-01	10L	290MM	160MM	346MM	1.3KG	Two-stroke Gasoline Engine Oil	Green	Built-in
SF2T-20-01	20L	330MM	190MM	476MM	1.8KG	Two-stroke Gasoline Engine Oil	Green	Built-in

Consult factory for other available models



Battery Selector Switch

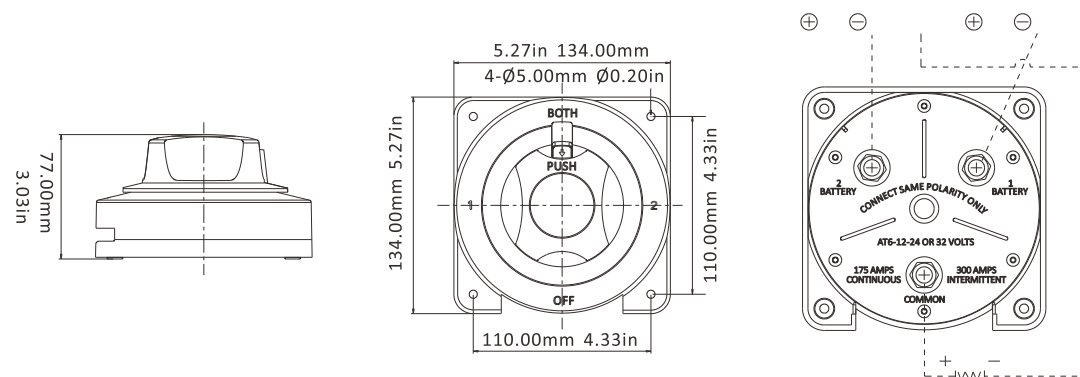
The SEAFLO Battery Selector Switch is a multi-function component. They permit selection between batteries for starting and charging or operation of both batteries in parallel. From the OFF position, the following batteries may be switched on, in accordance with the switch pattern: Battery 1 only. Battery 1 and Battery 2 (BOTH). Battery 2 only. Sturdy and durable marine-grade construction. Tin-plated copper studs and nuts. Suitable for 6-12-24 or 32 volt systems. Rated at 175A continuous, 300A intermittent.

4 Positions:

- OFF** - Complete disconnect of both batteries or banks of batteries
- 1** - Operation of No.1 battery only
- 2** - Operation of No.2 battery only
- BOTH** - Operation of both batteries and banks of batteries

Features & Benefits

- The selector switch will allow the use of one battery for engine starting and one battery for auxiliary electrical equipment.
- Batteries may be placed in parallel by switching to (BOTH) for emergency usage
- Small in size, Fine appearance, Sturdy and durable
- 3/8"-16 tin-plated copper studs for maximum conductivity and corrosion resistance Can be installed in any position
- 175A continuous duty at DC-12V
- 300A intermittent duty at DC-12V
- Suitable for 6V, 12V, 24V and 32V ship's supply system



Technical Data

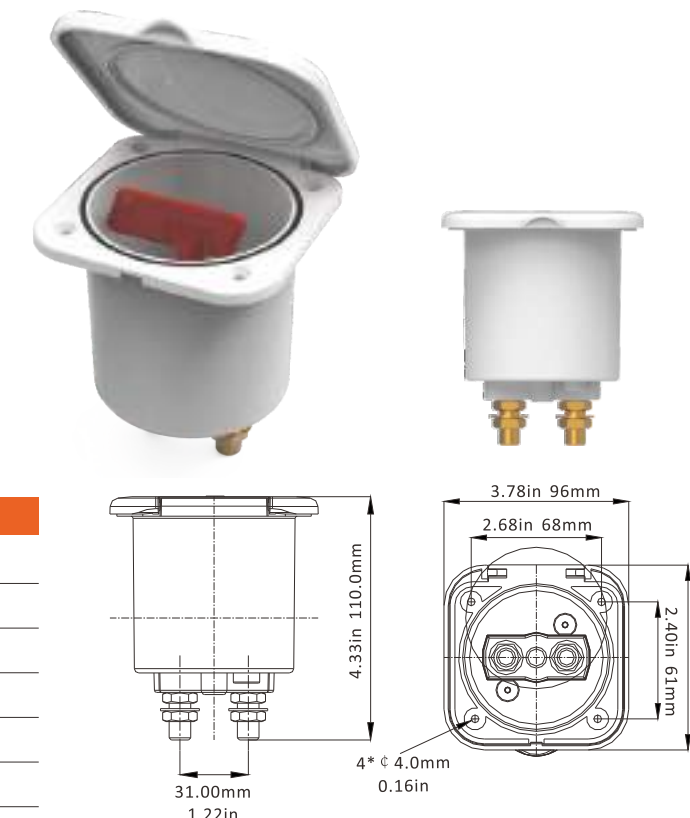
Model	SFCBS-175-402
Max.Volt (V)	6-12-24-32
Amp Draw (A)	175
Max Amp Draw (A)	300
Switch Position	3
Packing Size	140x140x85 mm
N.W/GW	0.45*0.65 kg

SEAFLO Switches

SEAFLO manufactures a variety of switches for Marine and RV applications. Our switch product-line includes float switches, battery cutoff switches, and battery selector switches. Our tough design provides reliability that you can count on for years. Have confidence when you purchase our switches, we stand behind all of our products with an Industry-Leading 4-Year Warranty.

Covered Battery Isolator Switch & Key

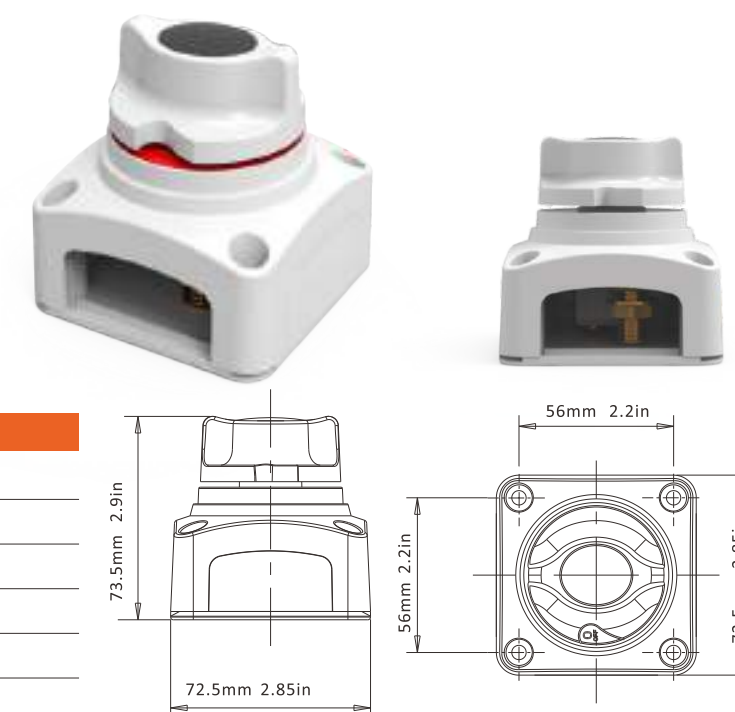
The SEAFLO Battery Cutoff Switch is a great way to protect your boat or RV. Top cover allows for protection from the elements and for a clean, recessed look. Removable key allows for ON/OFF function. Rated at 275A continuous, 450A intermittent, 1250A cranking. Anti-aging, anti-ultraviolet, sturdy and durable ABS marine-grade construction. Tin-plated copper studs and nuts. Suitable for 6-12-24 or 32 volt systems.



Model	SFBIS1-01
Max.Volt (V)	50
Amp Draw (A)	275
Max Amp Draw (A)	1250
Switch Position	2
Packing Size	100×104×114 mm
N.W/GW	0.29/0.32 kg

Battery Isolator Switch

The SEAFLO Battery Master Switch is a great way to protect your boat or RV. Simple twist ON/OFF function for battery disconnect. Rated at 275A continuous, 450A intermittent, 1250A cranking. Three removable side plates provide access of up to 1/0 cables. ABS anti-aging, anti-ultraviolet, sturdy and durable marine-grade construction. Tin-plated copper studs and nuts. Suitable for 6-12-24 or 32 volt systems.



Model	SFCBS-275-201
Max.Volt (V)	50
Amp Draw (A)	275
Max Amp Draw (A)	1250
Switch Position	2
Packing Size	78×78×80 mm
N.W/GW	0.20/0.30 kg

Diaphragm Hand Pumps

Features & Benefits

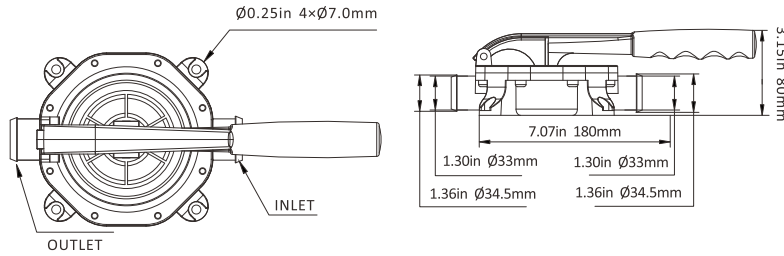
Proven design - tough yet lightweight polypropylene materials
 Versatility of installation
 Simple plumbing- 1-1/4" (34mm) smooth hose connection options
 Ease of operation - molded grip handle
 Easy maintenance - easy remove diaphragm

Secure fit - robust molded base
 Compact design - ideal for confined spaces
 Reliable performance - U-shaped outlet valve
 Efficient performance - up to 5.3 Gallons Per Minute

Typical Applications

Marine
 Kayak & Canoe
 RV & Campers
 Industrial

Plastic Handle Diaphragm Hand Pump

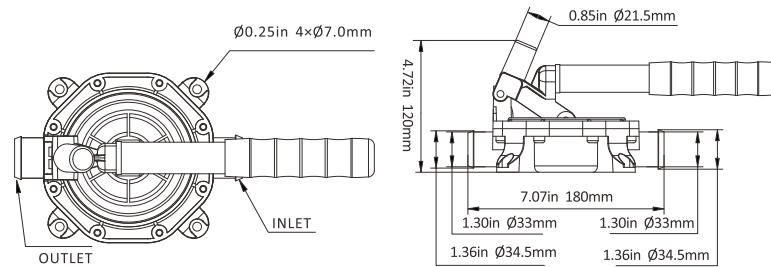


STANDARD PUMP CONFIGURATIONS

Plastic hand pump	
Product Code	SFDHP-G720-01
Hose Connections	34.5 mm (1.36") Hose Connections
Weight	0.99 lbs (0.45 kg)
Materials	Pump Body: Glass-filled Polypropylene, Diaphragm: EPDM, Fasteners: Stainless Steel
Materials On Contact with Fluid	Glass-filled Polypropylene, EPDM, Stainless Steel

This SEAFLO manual bilge pump is an easy to use water pumping solution for small to medium-sized boats. Capable of pumping up to 5.0 gallons per minute. This surface-mount pump features a fixed, horizontal handle. Constructed entirely from non-corroding materials. Powerful, lightweight and sturdy, its easy lever action allows fast pumping. Barbed inlet/outlet 1-1/4" hose connections. Easy to use and maintain, the diaphragm is quickly accessed for removing debris.

Aluminum Handle Diaphragm Hand Pump



STANDARD PUMP CONFIGURATIONS

Aluminum hand pump	
Product Code	SFDHA-G720-01
Hose Connections	34.5 mm (1.36") Hose Connections
Weight	1.25 lbs (0.57 kg)
Materials	Pump Body: Glass-filled Polypropylene, Diaphragm: EPDM, Fasteners: Stainless Steel
Materials On Contact with Fluid	Glass-filled Polypropylene, EPDM, Stainless Steel

This SEAFLO manual bilge pump is an easy to use water pumping solution for small to medium-sized boats. Capable of pumping up to 5.0 gallons per minute. This surface-mount pump features a removable stainless handle, with dual position handle. Handle can be horizontal, or more vertical. Constructed entirely from non-corroding materials. Powerful, lightweight and sturdy, its easy lever action allows fast pumping. Barbed inlet/outlet 1-1/4" hose connections. Easy to use and maintain, the diaphragm is quickly accessed for removing debris.

MEMBRANE

Item Number	Material
Membrane	EPDM

VALVE

Item Number	Material
Valve	EPDM

Piston Hand Pumps

The SEAFLO manual piston bilge pump is an easy to use water pumping solution. Ideal for small boats, canoes, kayaks, bilges or similar applications. Available in 2 lengths, 16" (950GPH) and 22" (1,100GPH). Light weight and corrosion resistant materials. Easy-clean design. Thin profile and removable flexible outlet hose makes it easy to store in tight spaces.

Features & Benefits

Portable design - lightweight
 Ease of use - versatile flexible outlet pipe
 Ready to pump - 1.0" (25mm) hose included
 Ease of operation - simple handle plunger
 Suitable for bilge water
 Available in two barrel lengths 16.0" or 22.0"

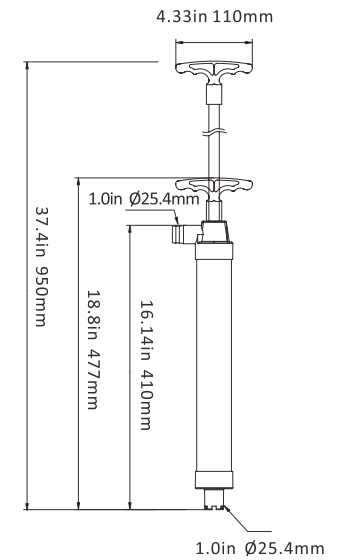
Typical Applications

Marine
 Kayaks & Canoes
 RV & Campers
 Industrial



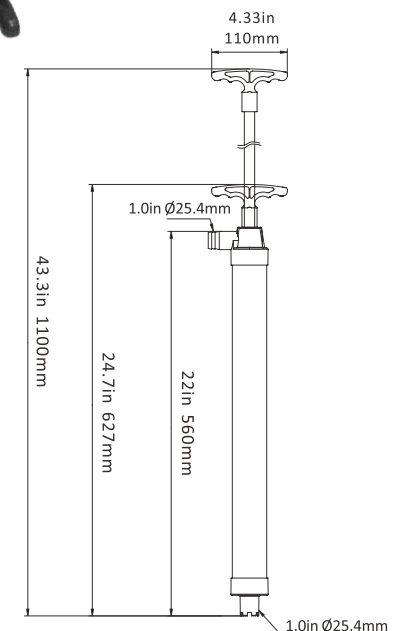
STANDARD PUMP CONFIGURATIONS

Short Barrel Version	
Product Code	SFPH-H950-01/02
Hose Connections	25 mm (1") Hose Connections
Weight	0.48 lbs (0.22 kg)
Materials	Pump Body: PP, Valve: EPDM
Materials In Contact with Fluid	PP, EPDM
Suction Lift	1m (3 ft)
Discharge Head	0.5 m (1.5 ft)
45 Strokes per Minute	19 ltrs (5 US gals)
70 Strokes per Minute	31.4 ltrs (8.3 US gals)



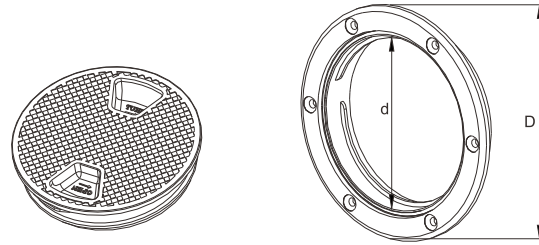
STANDARD PUMP CONFIGURATIONS

Long Barrel Version	
Product Code	SFPH-H1100-01/02
Hose Connections	25 mm (1") Hose Connections
Weight	0.64 lbs (0.29 kg)
Materials	Pump Body: PP, Valve: EPDM
Materials In Contact with Fluid	PP, EPDM
Suction Lift	1m (3 ft)
Discharge Head	0.5 m (1.5 ft)
45 Strokes per Minute	19 ltrs (5 US gals)
70 Strokes per Minute	31.4 ltrs (8.3 US gals)

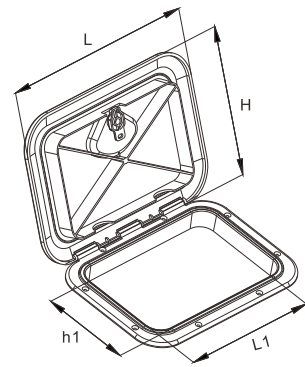


Hatches

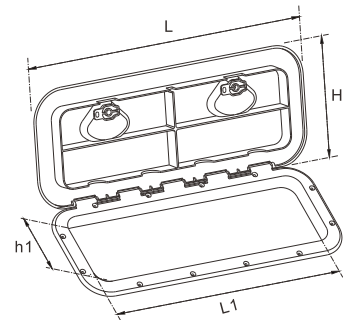
SEAFLO manufactures the toughest Access Hatches, with a variety of sizes to fit an assortment of applications. We use an Anti-Aging, Ultraviolet-Resistant ABS Thermoplastic with robust reinforcement. Their rugged design provides performance that you can rely on for years. Have confidence when you purchase our hatches, we stand behind all of our products with an Industry-Leading 4-Year Warranty.



Model	Size (in.)	d (in.)	D (in.)	Color
SFRH1-004-01	4.0"	4.0"	5.6"	white
SFRH1-006-01	6.0"	6.0"	7.8"	white
SFRH1-008-01	7.0"	7.0"	9.8"	white



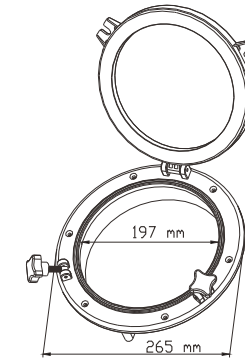
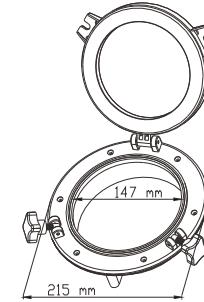
Model	H(in.)	L(in.)	h1(in.)	L1(in.)
SFRE1-270-375-01	10.6"	14.75"	7.5"	11.4"



Model	H(in.)	L(in.)	h1(in.)	L1(in.)
SFRE1-243-607-01	9.5"	23.9"	6.6"	20.6"
SFRE1-315-440-01	12.4"	17.3"	9.4"	14.0"
SFRE1-353-606-01	13.9"	23.8"	10.9"	20.6"
SFRE1-370-375-01	14.5"	14.75"	11.6"	11.6"
SFRE1-460-510-01	18.1"	20.0"	15.0"	17.1"

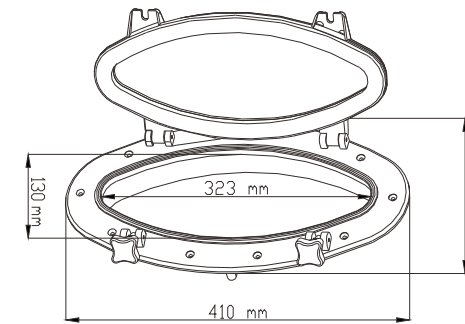
Porthole

4mm Thick Tempered Glass.
 ABS Anti-aging, Anti-ultraviolet.
 Casted and polished 316 stainless steel accessories. Easy 'click-in' construction.
 Corrosion free synthetic fittings and durable rubber seals.

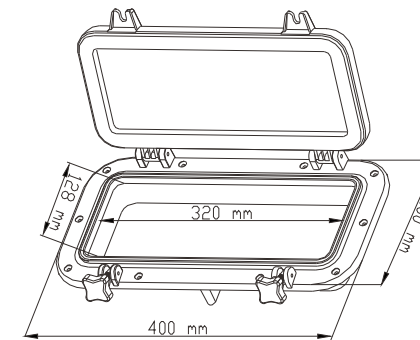


Model	Inner Dimension	Outer Dimension	Color
SFPP1-01	5.78"	8.46"	white
SFPP2-01	5.78"	8.46"	black

Model	Inner Dimension	Outer Dimension	Color
SFPP1-02	7.75"	10.43"	white
SFPP2-02	7.75"	10.43"	black



Model	Inner Dimension	Outer Dimension	Color
SFPP1-03	12.7" x 5.1"	16.1" x 8.6"	white
SFPP2-03	12.7" x 5.1"	16.1" x 8.6"	black



Model	Inner Dimension	Outer Dimension	Color
SFPP1-04	12.6" x 5.1"	15.7" x 7.8"	white
SFPP2-04	12.6" x 5.1"	15.7" x 7.8"	black

GENUINE PARTS AND ACCESSORIES



PUMP FITTINGS			
Item Number	Size	Fitting Type	Material
21F001	15/32" X 3/8" Barb	HB Elbow Fitting w/ O-Ring	PA
21F003	3/8" x 1/4" QA	TUBE Staight w/ O-Ring	POM
41F001	3/4" QA x 1/2" Barb	HS Elbow Fitting w/ O-Ring	Black Nylon
41F002	3/4" QA x 1/2" MNPT	MNPT Elbow w/ O-Ring	Black Nylon
41F003	3/4" QA x 1/2" Barb	HS Straight Fitting w/ O-Ring	Black Nylon
41F004	3/4" QA x 1/2" MNPT	MNPT Straight w/ O-Ring	Black Nylon
41F005	3/4" QA x 1/2"	TUBE Straight w/ O-Ring	Black Nylon
31F01	3/8" MNPT x 3/8" Barb	MNPT Straight Fitting	Nylon
35F01	5/8" QA x 3/8" Barb	HB Straight Fitting w/ O-Ring	Nylon
35F02	5/8" QA x 1/2" Barb	HB Straight Fitting w/ O-Ring	Nylon
35F03	5/8" QA x 3/8" Barb	HB Elbow Fitting w/ O-Ring	Nylon
35F04	5/8" QA x 1/2" Barb	HB Elbow Fitting w/ O-Ring	Nylon
51F01	1/2" -14 FNPT x 1/2" Barb	HSE Barb Straight Fitting	POM &PP
51F02	1/2" -14 FNPT x 3/8" Barb	HSE Barb Straight Fitting	POM & PP
51F03	1/2" -14 FNPT x 1/2" Barb	HSE Barb Elbow Fitting	POM & PP
51F04	1/2"-14 FNPT x 1/2"-14 MNPT	MNPT Elbow Fitting	POM & PP
51F05	1/2" -14FNPT x 3/8 " Barb	HSE Barb Elbow Fitting	POM & PP

QA = Quick-Attach

GENUINE PARTS AND ACCESSORIES



PUMP FILTERS			
Item Number	Size	Fitting Type	Mesh Size
35S01	5/8" Female Quick Attach	5/8" Male Quick Attach	50
41S01	3/4" Male Quick Attach	3/8" Hose Barb	50
41S02	3/4" Male Quick Attach	1/2" MNPT	50
41S03	3/4" Male Quick Attach	3/4" Female Quick Attach	50
41S04	3/4" Male Quick Attach	3/4" Female Quick Attach	50
41S05	3/4" Female Quick Attach	3/4" Female Quick Attach	50
51S01	1/2"-14 MNPT	1/2"-14 FNPT Inline Filter/Strainer	50
52S01	3/4" Male Quick Attach	1/2" Hose Barb	50

PRESSURE SWITCHES	
PSI	Max. Amps (A)
35	20
40	20
45	20
60	20
70	20
80	20
100	20



PRESSURE SWITCHES	
PSI	Max. Amps (A)
80	20
100	20
120	20
160	20

