



Diaphragm Pump 33 Series

Features & Benefits

- Positive displacement pump
- Can run dry
- Quiet operation
- Demand pump
- Low amp draw
- Industry standard mount pattern
- Built in check valve
- Thermally protected
- Easy connect fittings

Typical Applications

- Agricultural Spraying
- General Industrial
- Automotive
- Marine/RV

PUMP

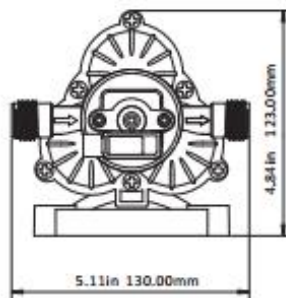
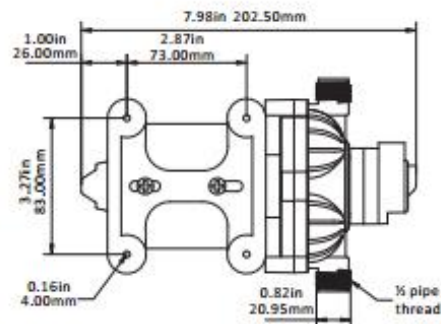
- Type**
3 chamber positive displacement diaphragm pump, self priming, capable of being run dry
- Mode**
demand
- Liquid Temperature**
140°F (60°C) Max.
- Priming Capabilities**
6 feet (1.8 m) suction lift
- Max Pressure**
45 PSI (3.1 bar)

Inlet/Outlet Ports

- 1/2"-14 MNPT
- Weight**
2.5 lbs (1.14 kg)

MOTOR

- Duty Cycle**
Intermittent
- Leads**
16 AWG, 4.5" long with 2-Pin connector/Leads
- Voltage**
12v/24v



51F01



51F02



51S01

Fittings & Filter
for your choice



51F04



51F03

STANDARD PUMP CONFIGURATIONS

| Model | Switch | GPM/LPM | PSI/BAR | Max Draw(A) | Valves | Diaphragm | Ports | Voltage | Wire Connections |
|------------------|--------|----------|---------|-------------|--------|------------|--------------|---------|------------------|
| SFDP1-030-045-33 | Demand | 3.0/11.6 | 45/3.1 | 8.0 | EPDM | Santoprene | 1/2"-14 MNPT | 12V | 2-Pin/Leads |
| SFDP2-030-045-33 | Demand | 3.0/11.6 | 45/3.1 | 4.0 | EPDM | Santoprene | 1/2"-14 MNPT | 24V | 2-Pin/Leads |
| SFDP1-028-045-33 | Demand | 2.8/10.6 | 45/3.1 | 6.0 | EPDM | Santoprene | 1/2"-14 MNPT | 12V | 2-Pin/Leads |
| SFDP2-028-045-33 | Demand | 2.8/10.6 | 45/3.1 | 3.5 | EPDM | Santoprene | 1/2"-14 MNPT | 24V | 2-Pin/Leads |